



**Iseas**  
*Pioneering Spirit*



**Manual**

**2**

# Step 01

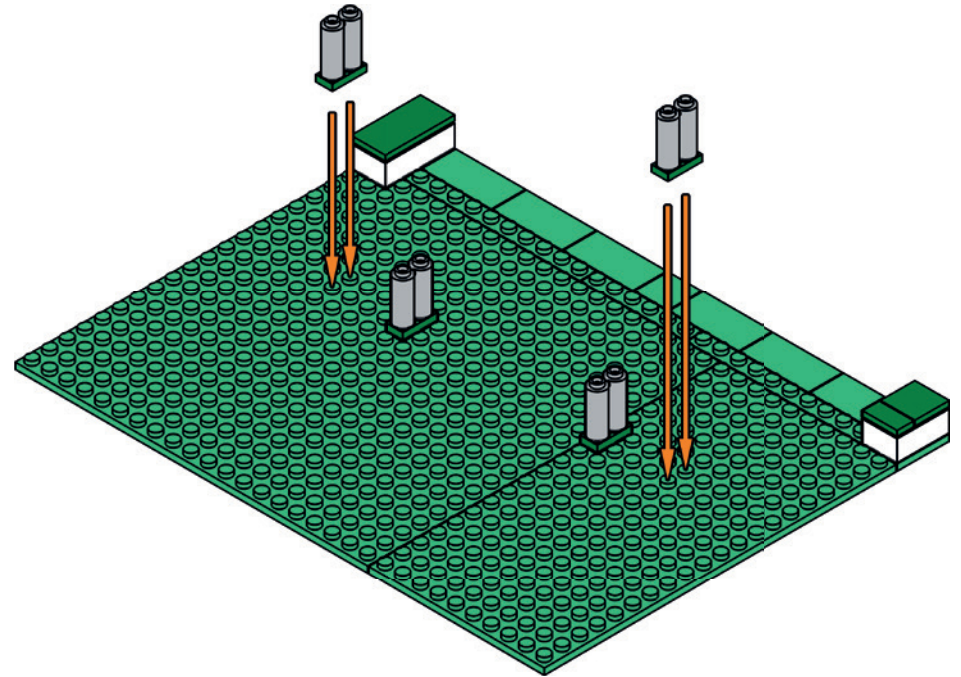
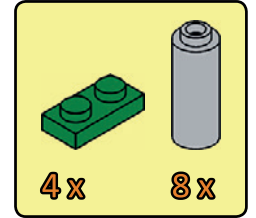
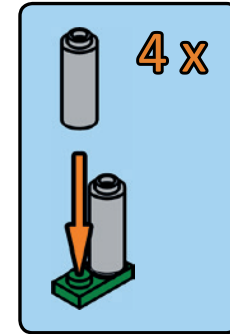
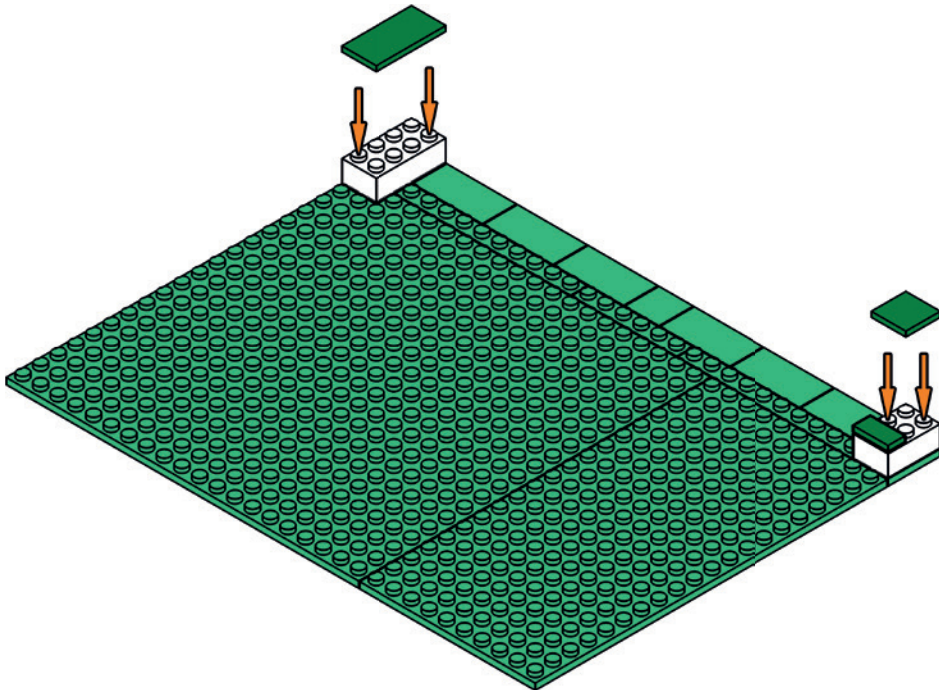
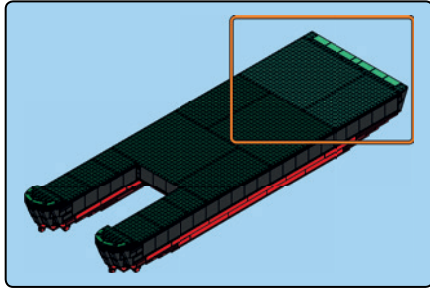
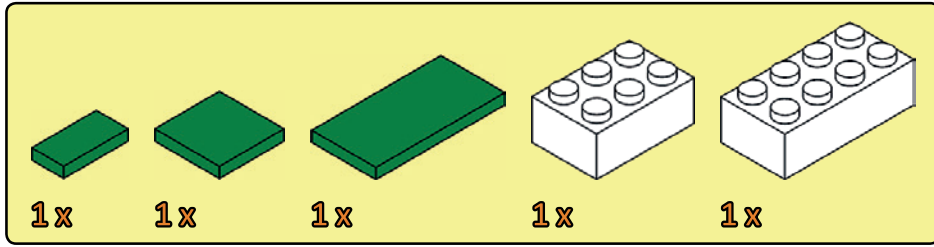


M38-70093



*Allseas*

# Step 02



# Step 03

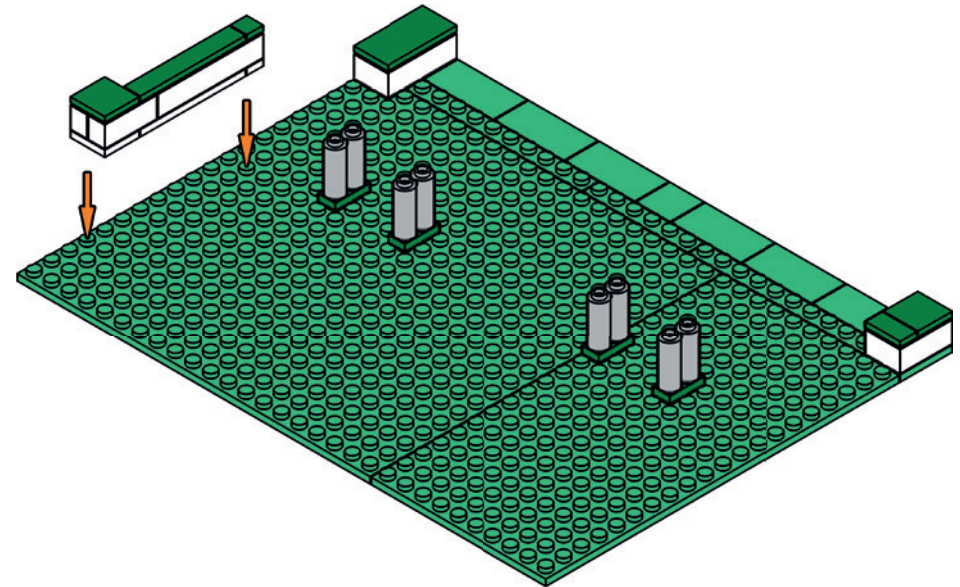
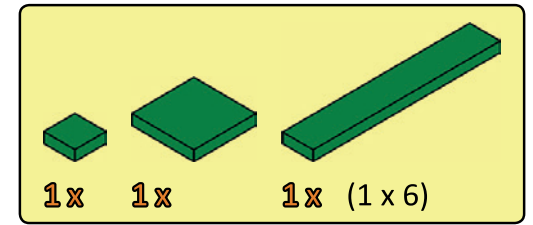
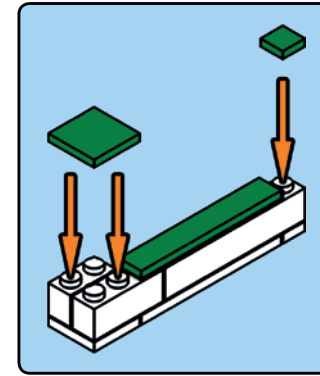
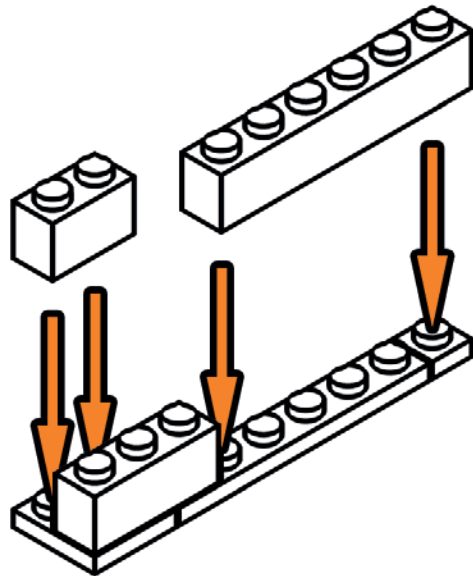
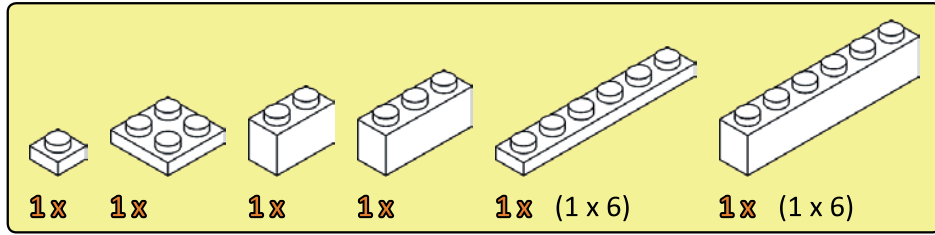


M38-70093



*elseas*

# Step 04



# Step 05

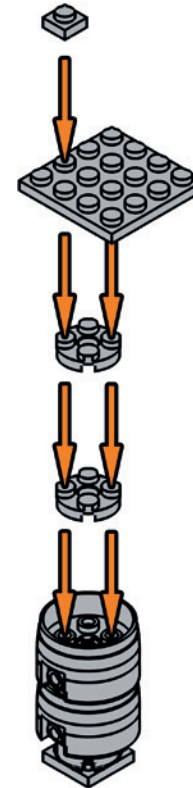
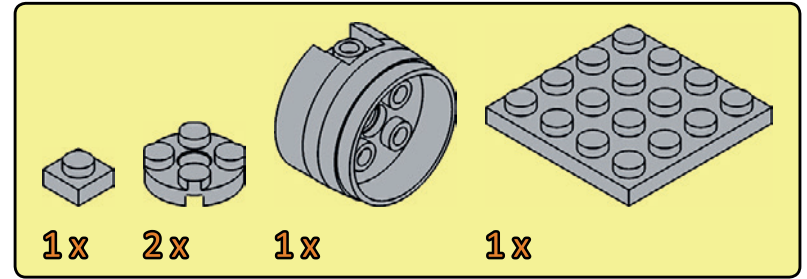
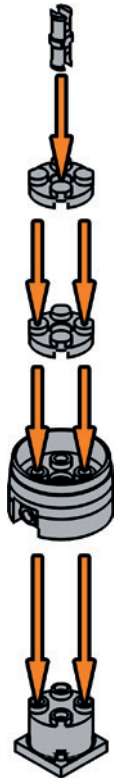
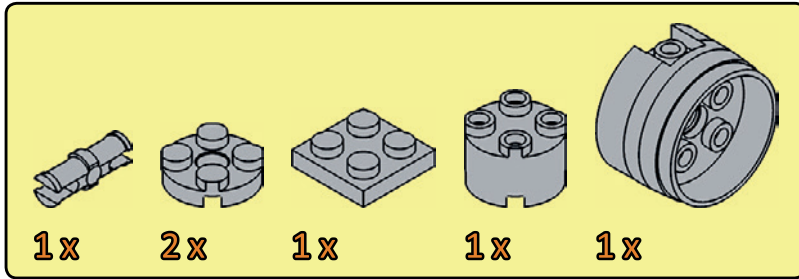


M38-70093



*alseas*

# Step 06



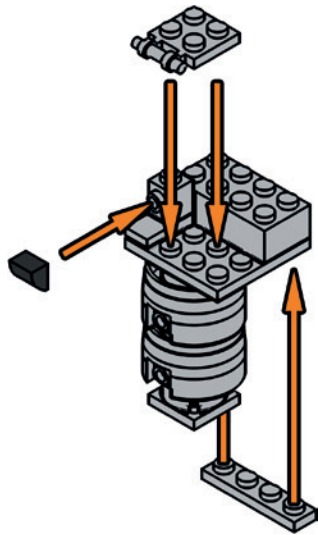
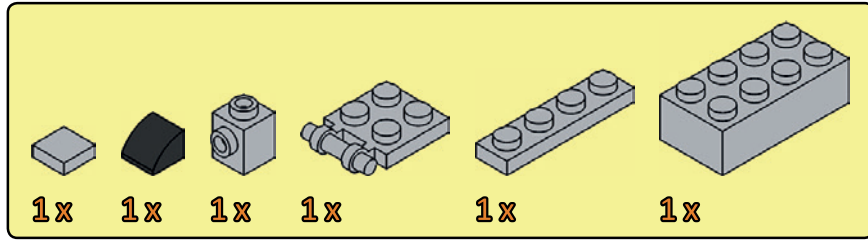
# Step 07



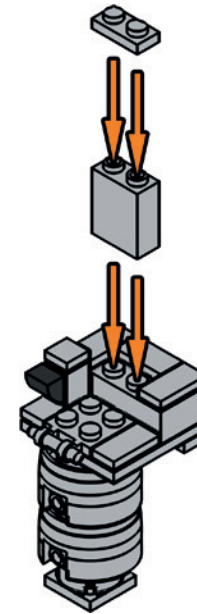
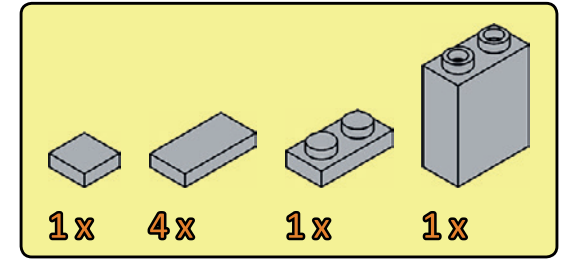
M38-70093



*elseas*



# Step 08



# Step 09

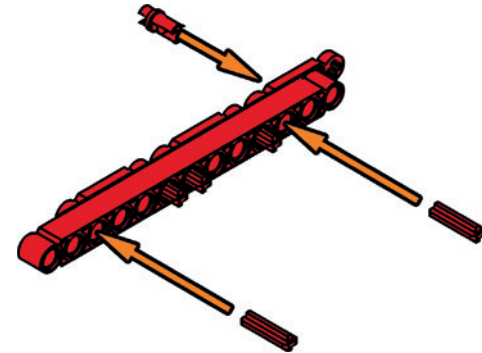
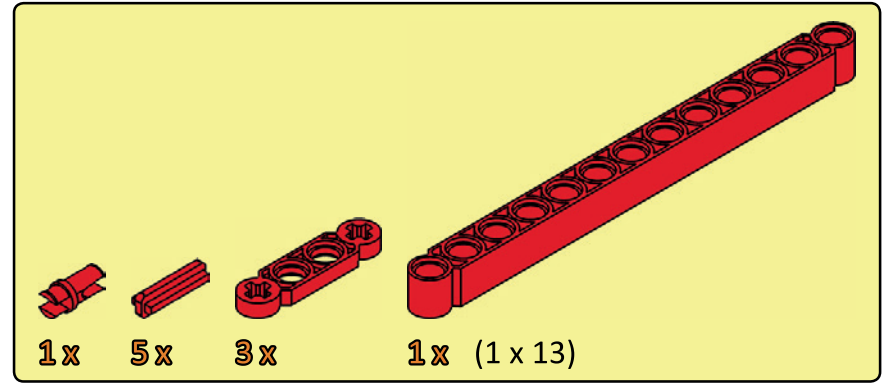
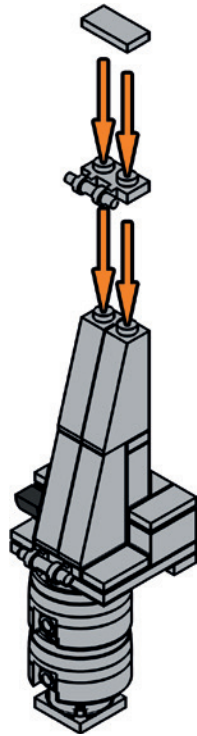
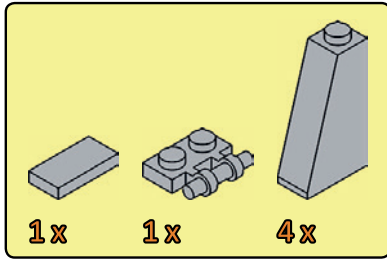


M38-70093



*Alseas*

# Step 10



# Step 11

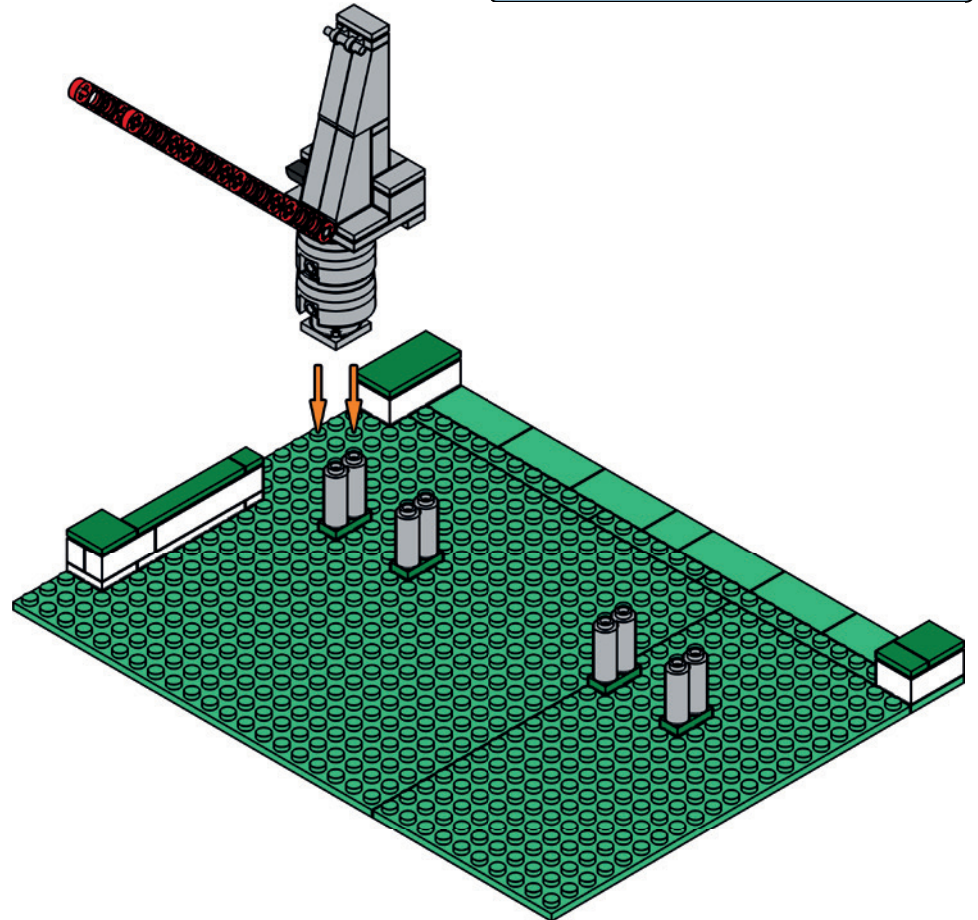
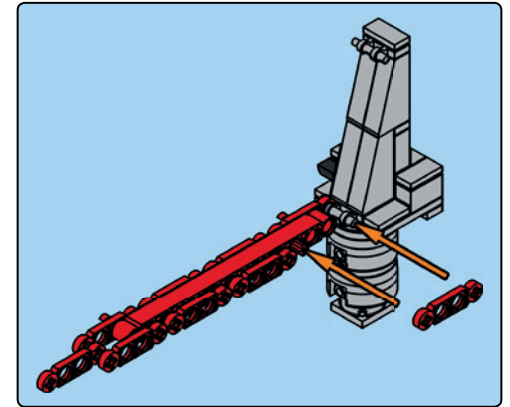
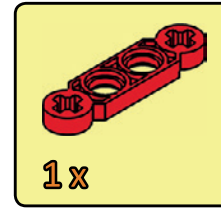
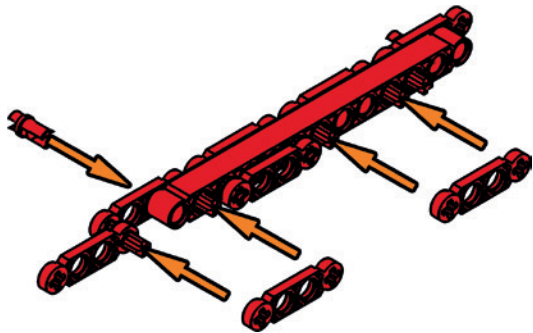
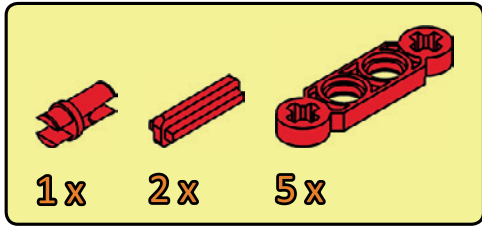


M38-70093



elseas

# Step 12



# Step 13

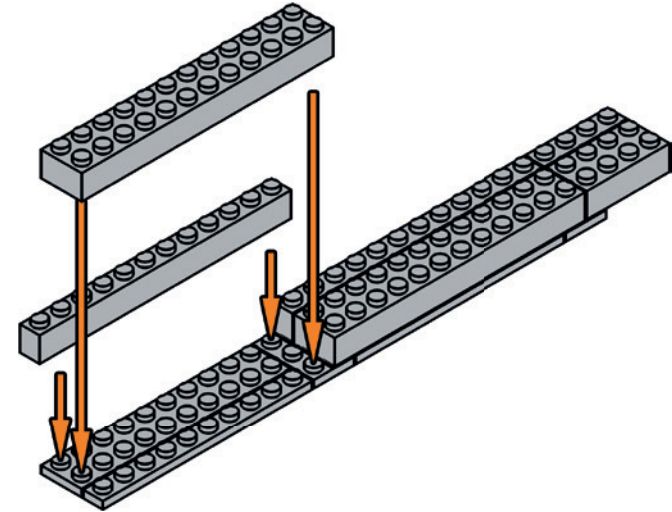
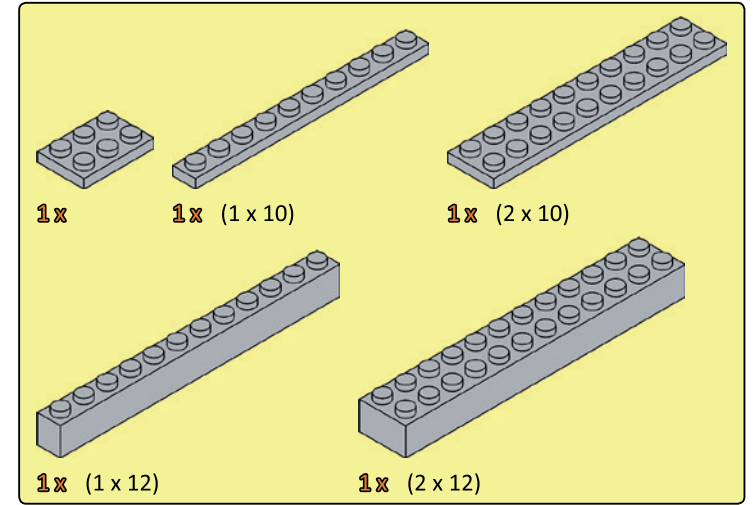
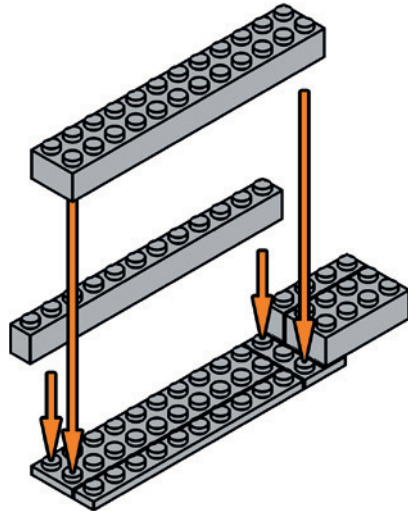
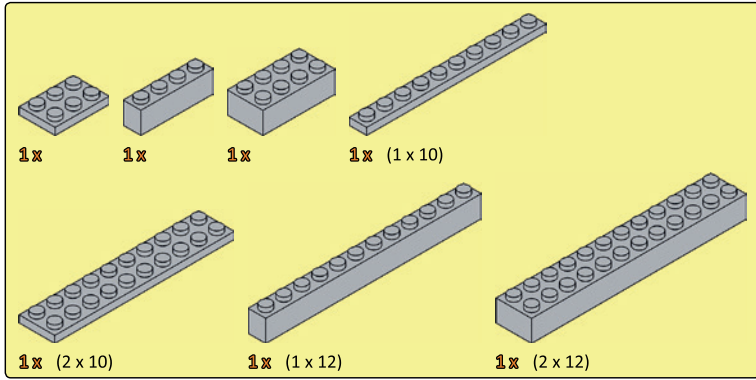


M38-70093



*elseas*

# Step 14





# Step 15

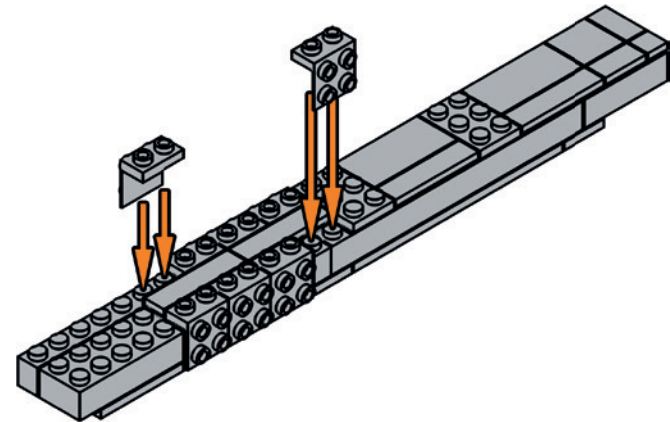
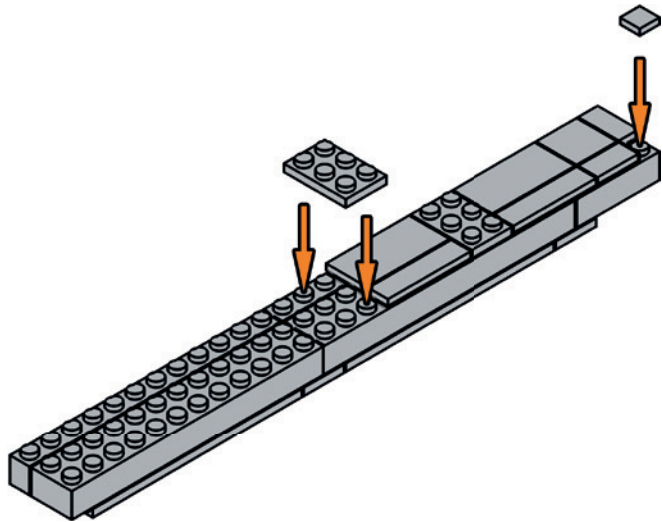
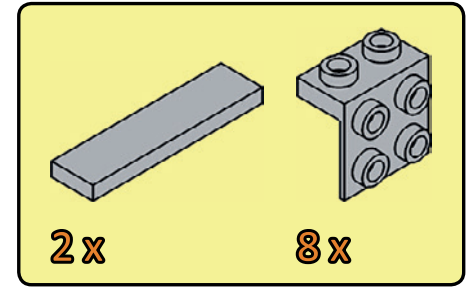
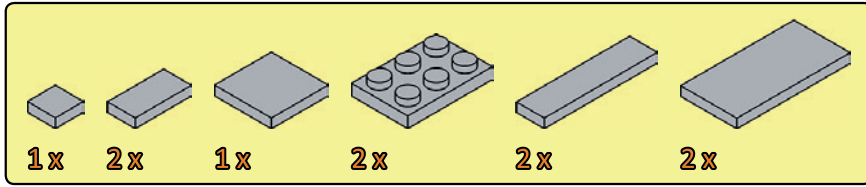


M38-70093



*alseas*

# Step 16



# Step 17

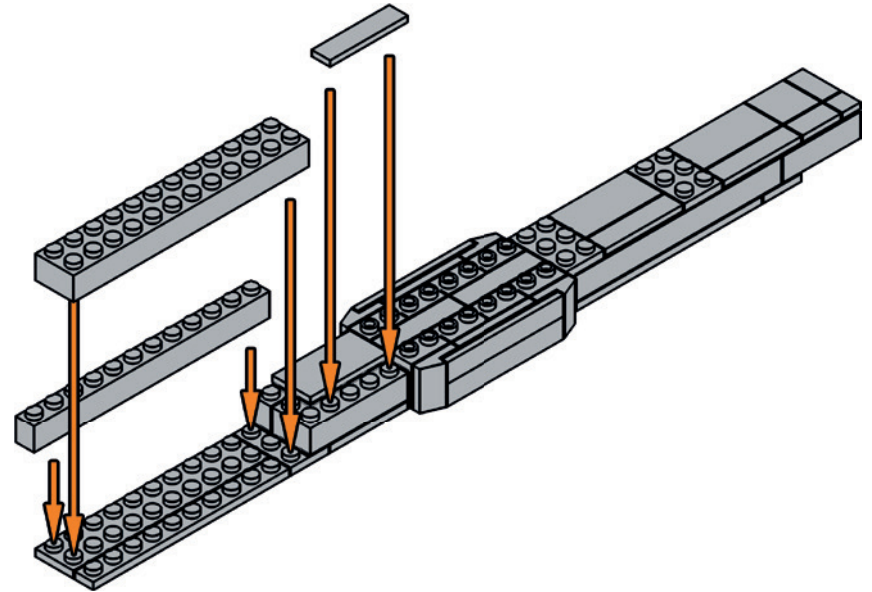
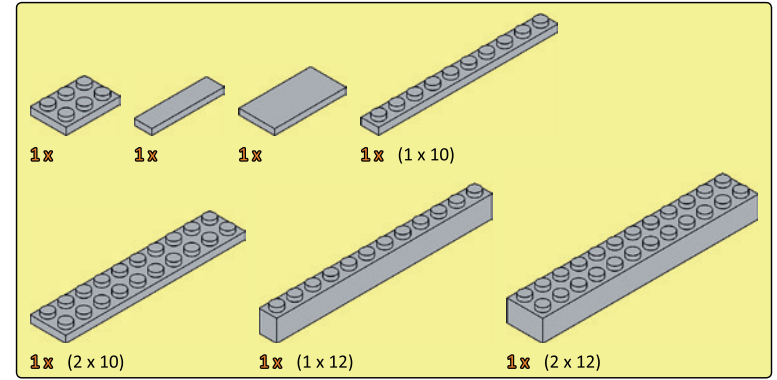
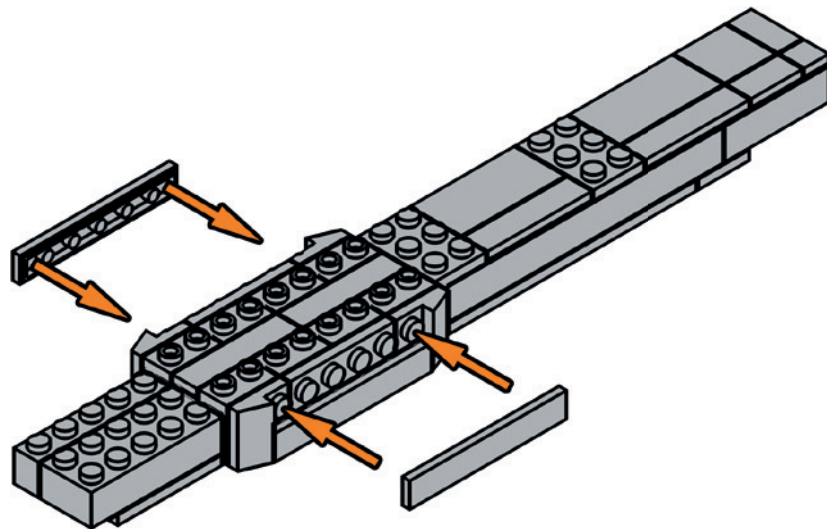
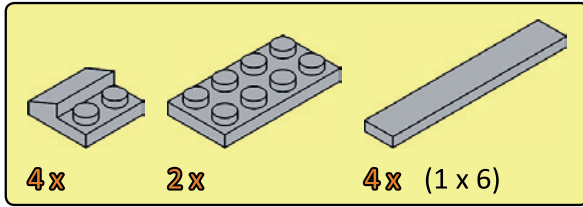


M38-70093



*elseas*

# Step 18



# Step 19

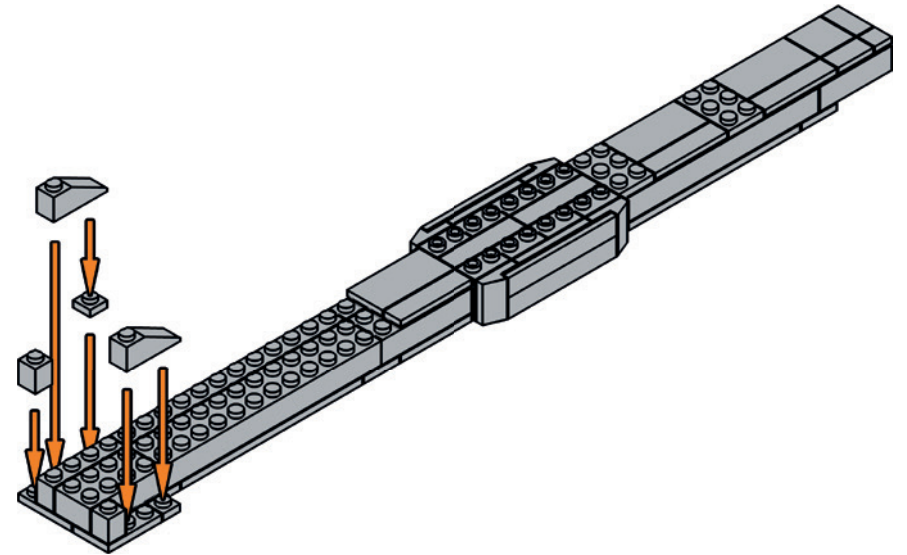
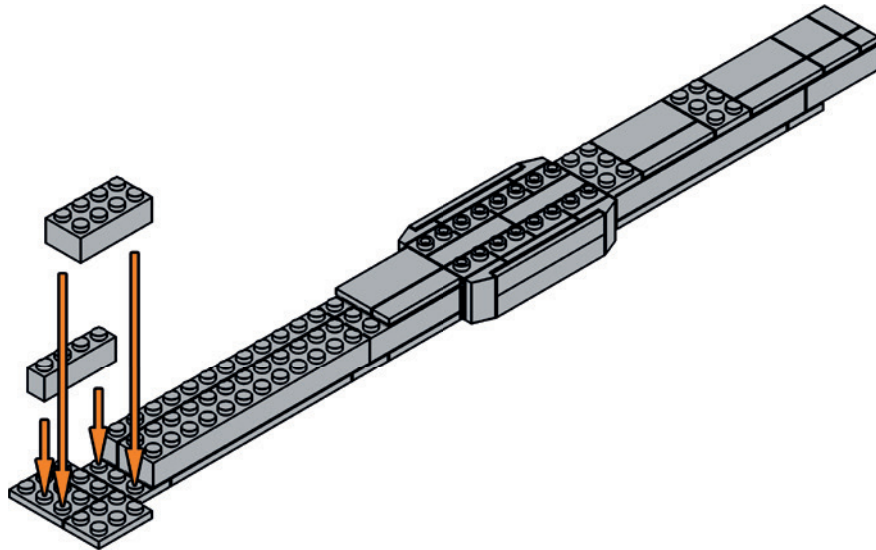
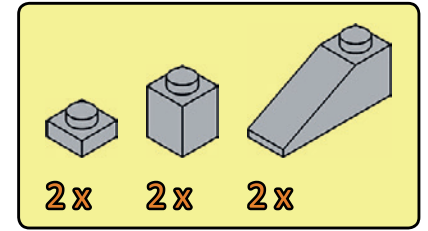
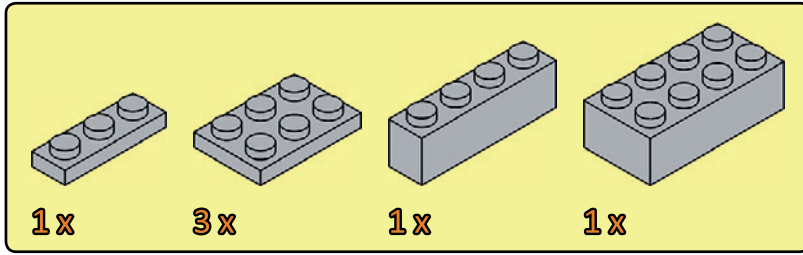


M38-70093



*alseas*

# Step 20



# Step 21

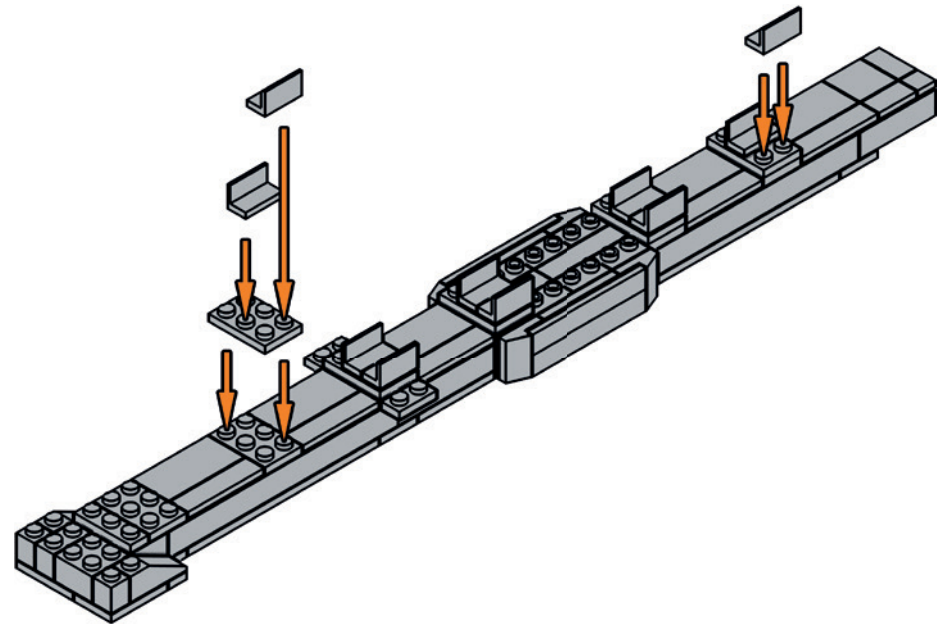
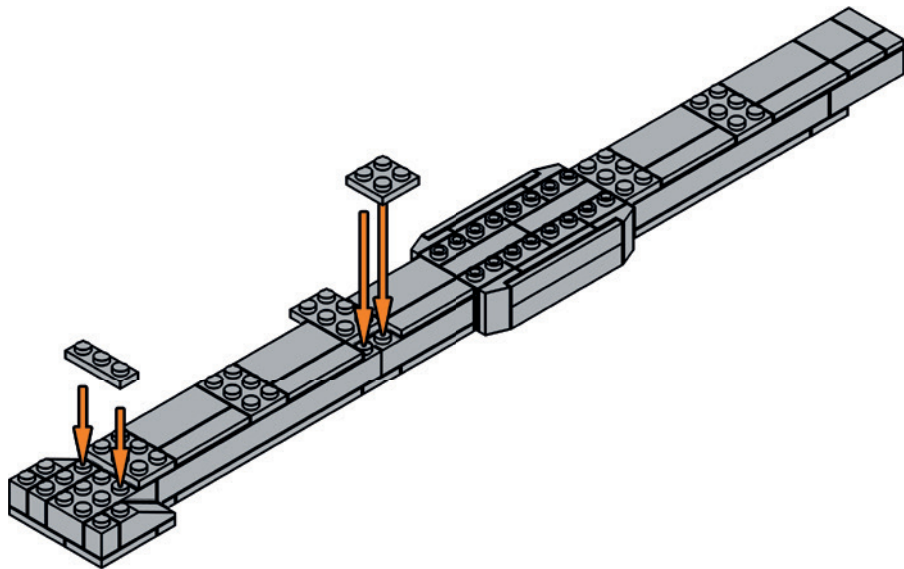
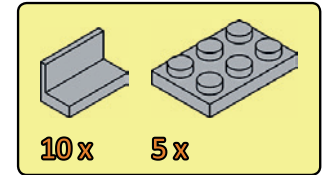
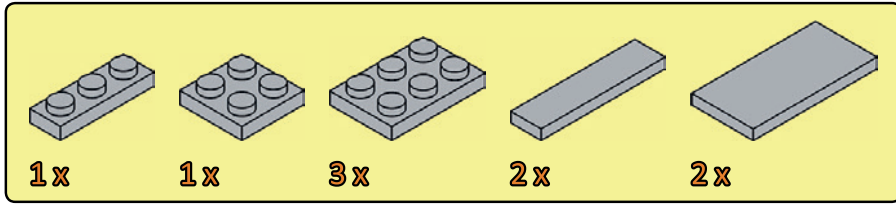


M38-70093



*alseas*

# Step 22



# Step 23

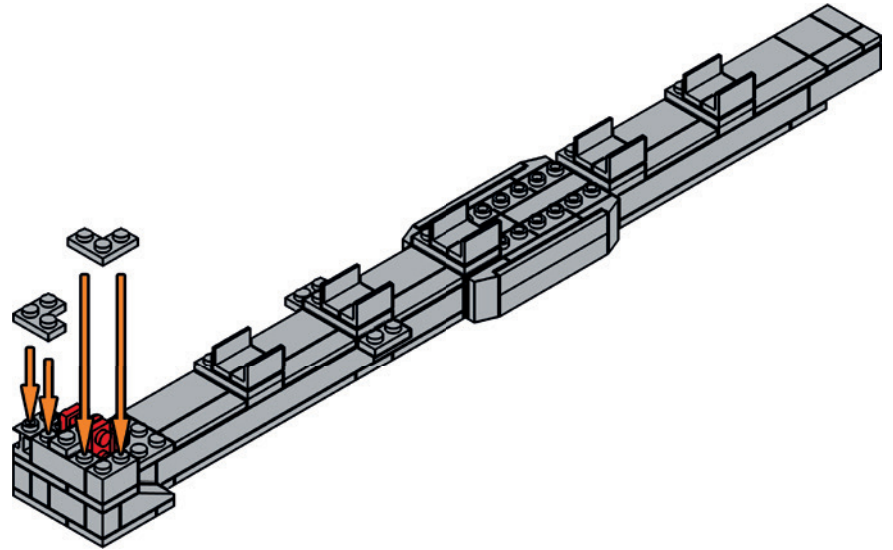
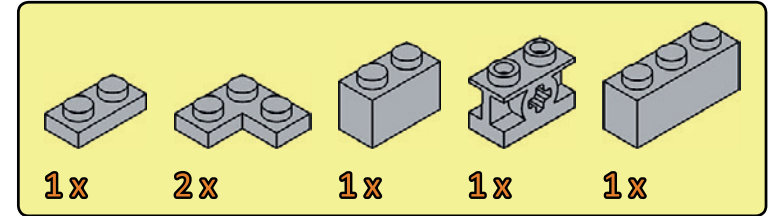
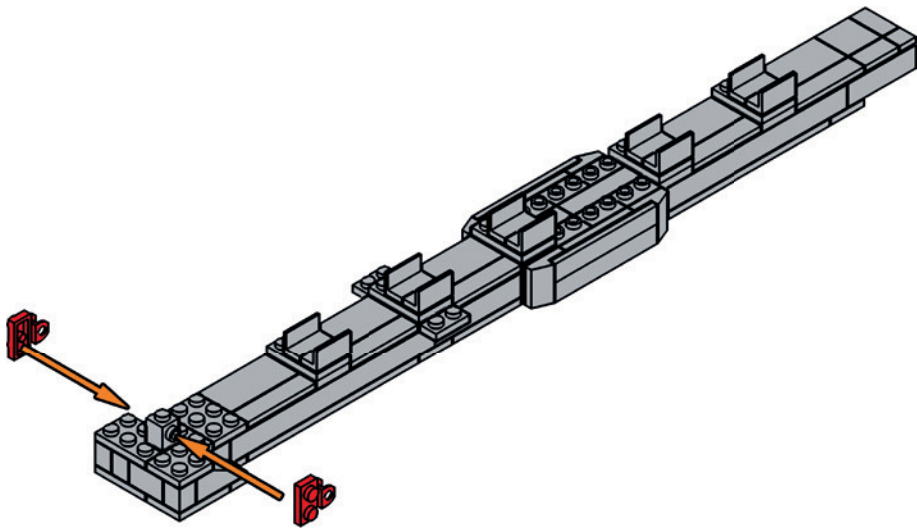
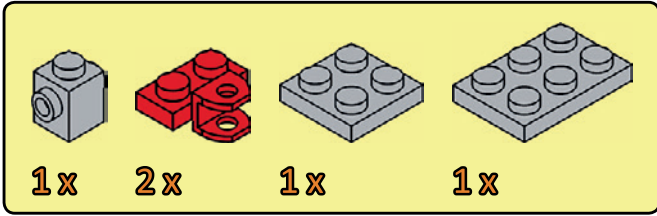


M38-70093



elseas

# Step 24



# Step 25

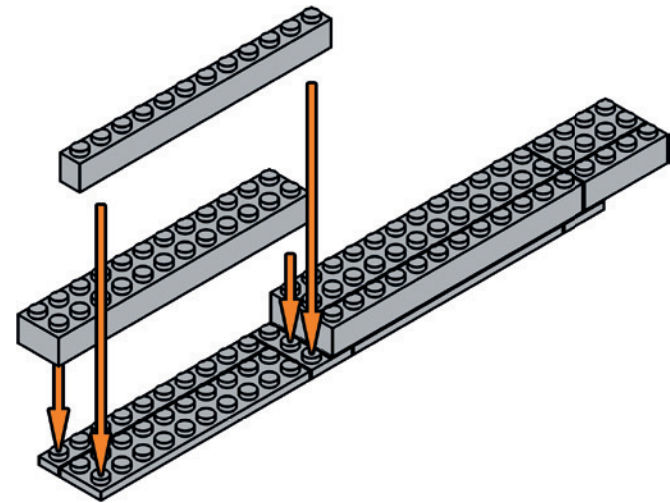
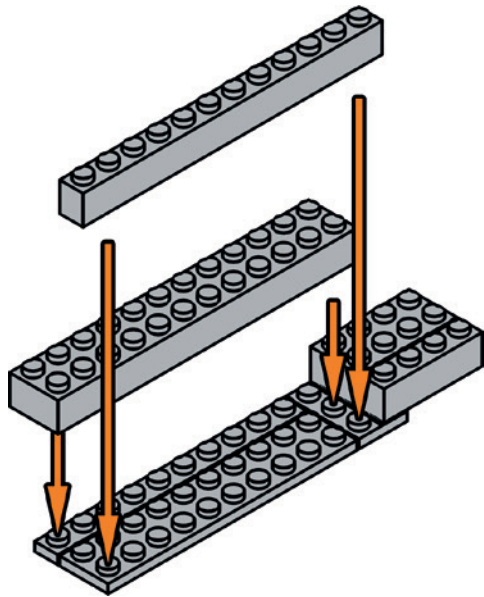
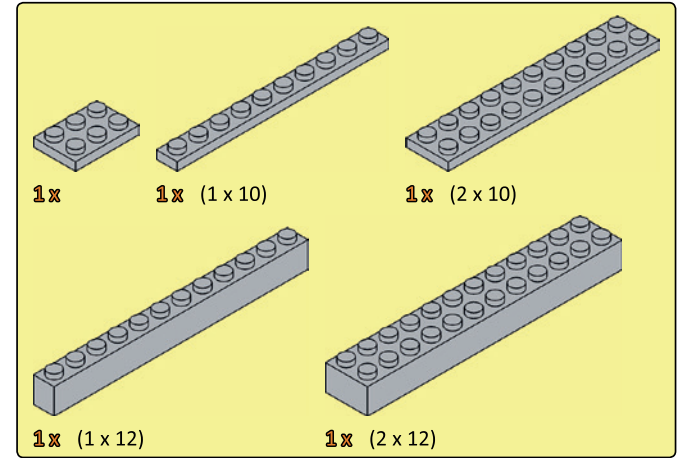
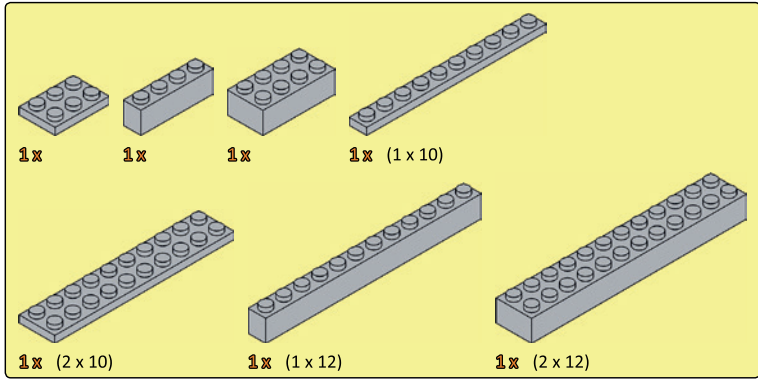


M38-70093



*elseas*

# Step 26



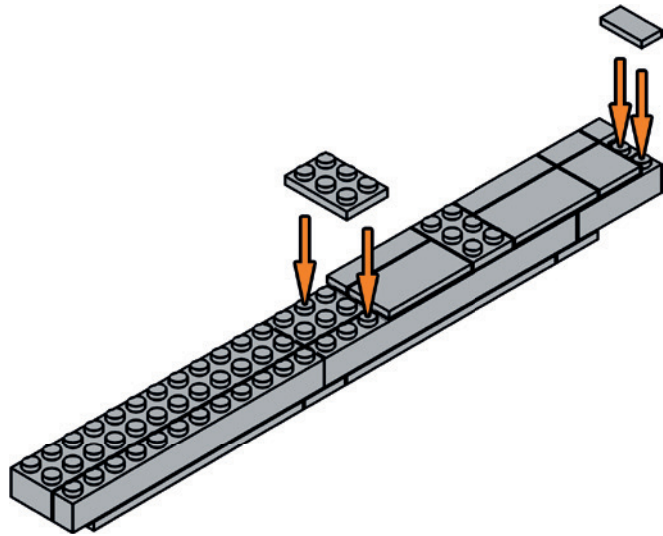
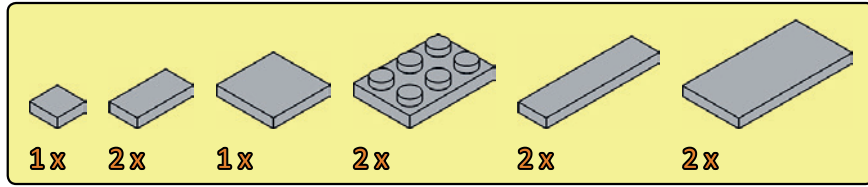
# Step 27



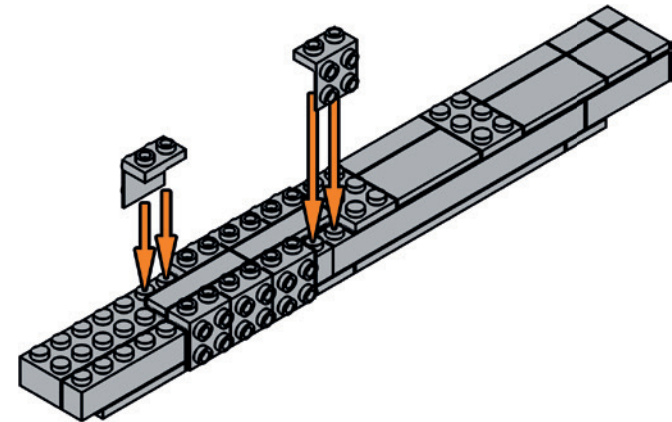
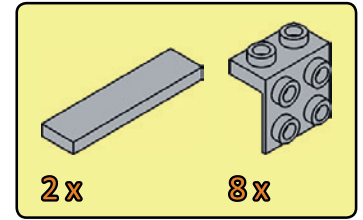
M38-70093



*alseas*



# Step 28



# Step 29

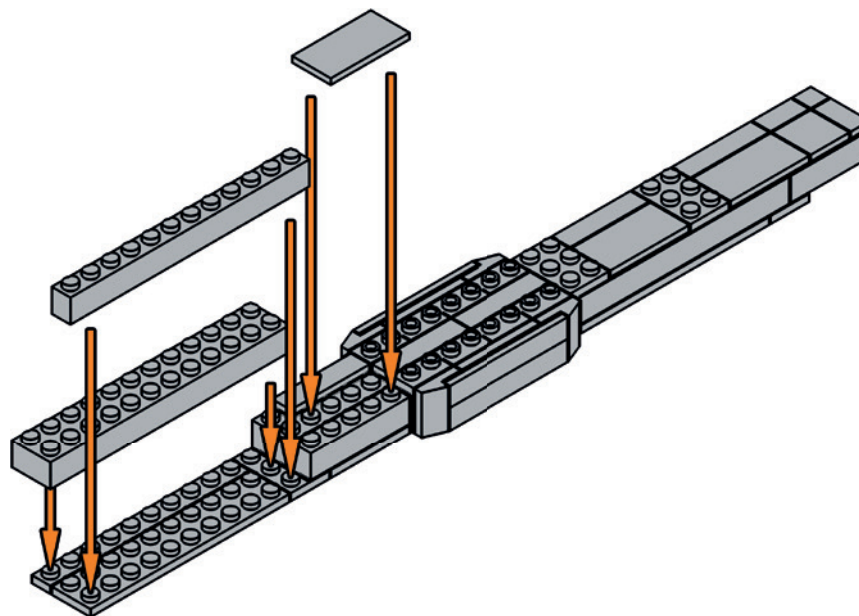
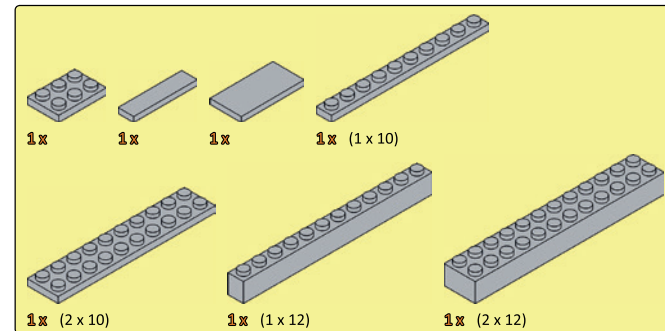
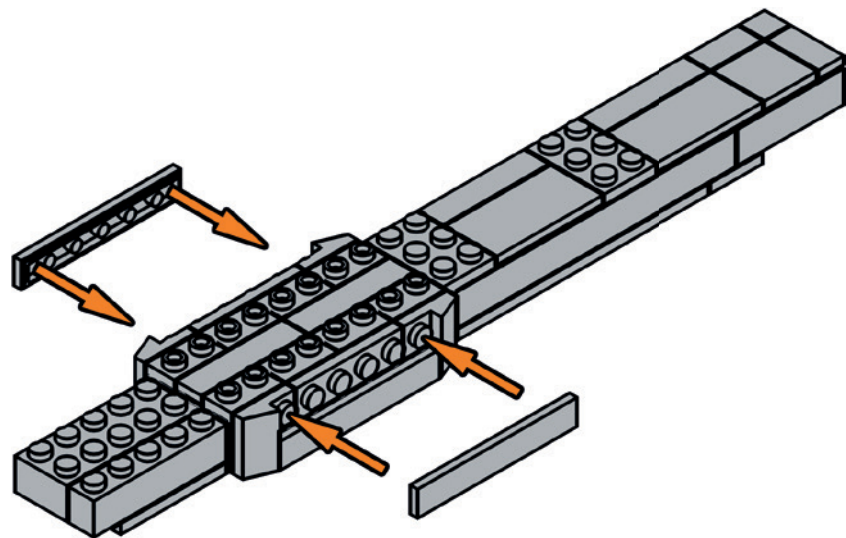
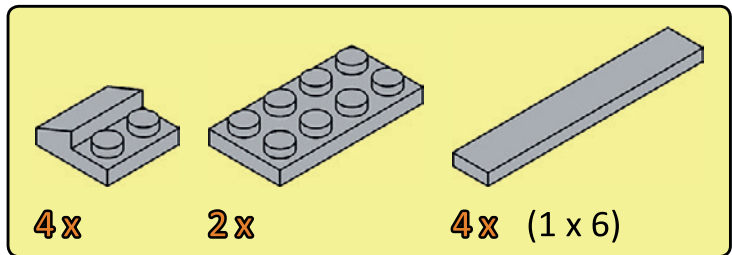


M38-70093



l|seas

# Step 30





# Step 31

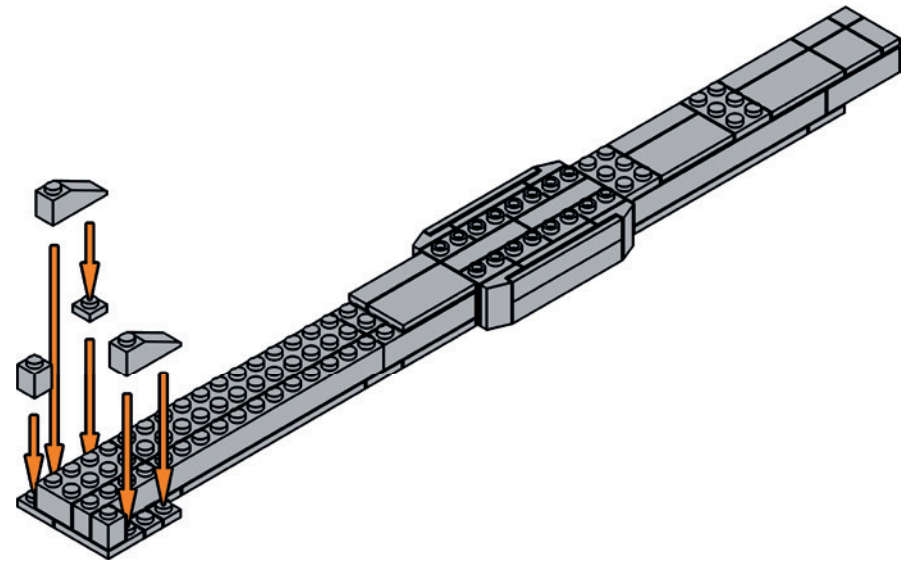
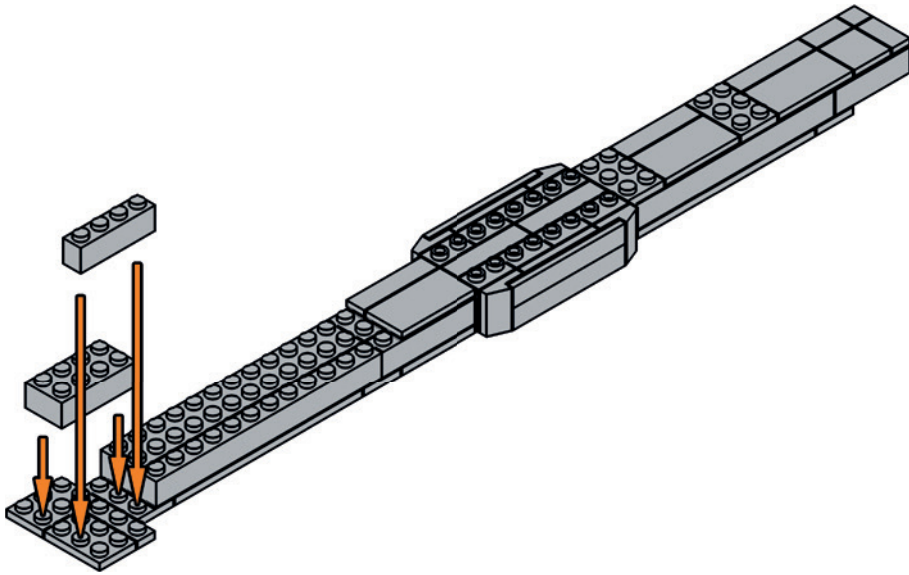
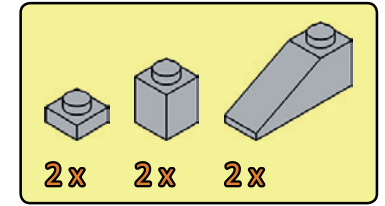
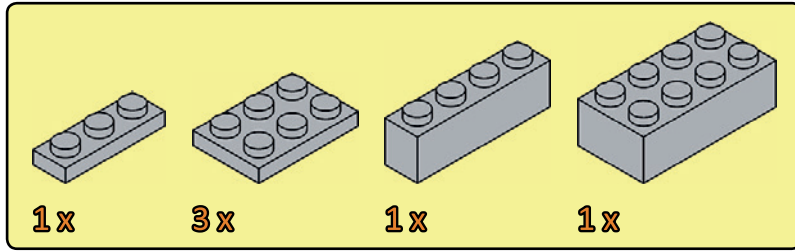


M38-70093



*Iseas*

# Step 32



# Step 33

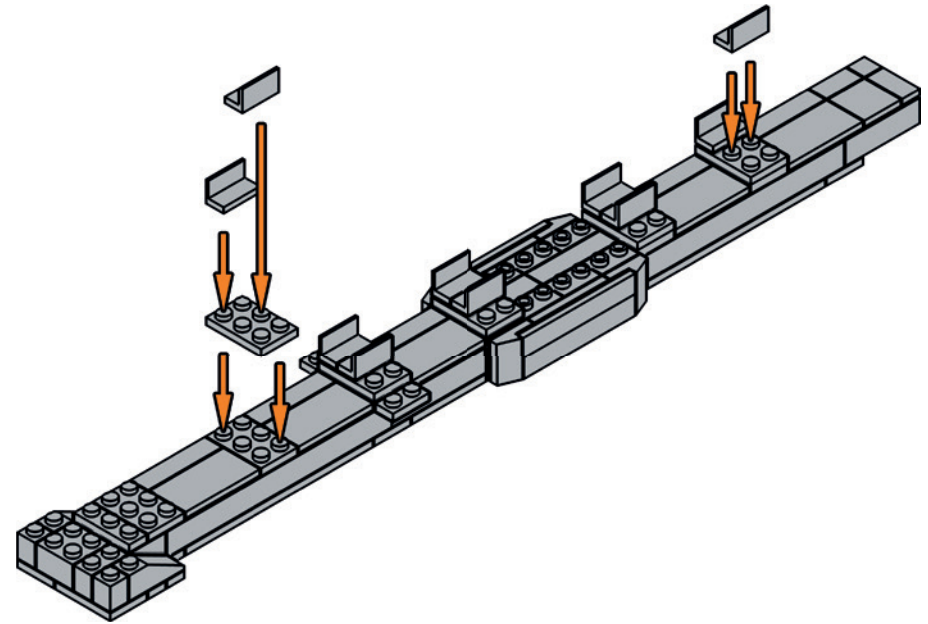
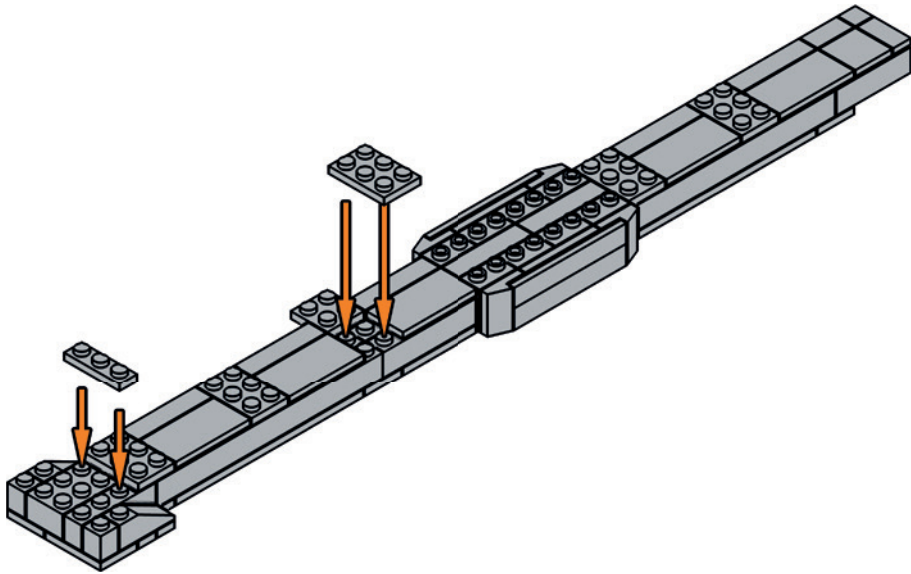
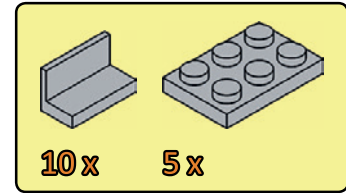
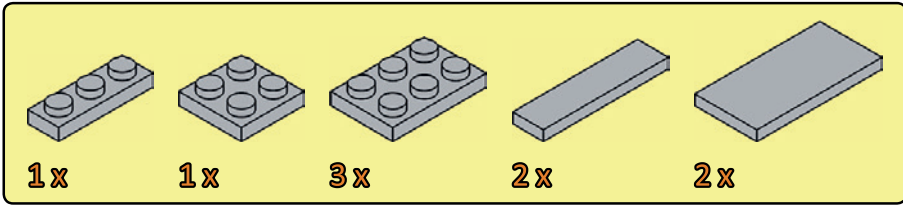


M38-70093



*elseas*

# Step 34



# Step 35

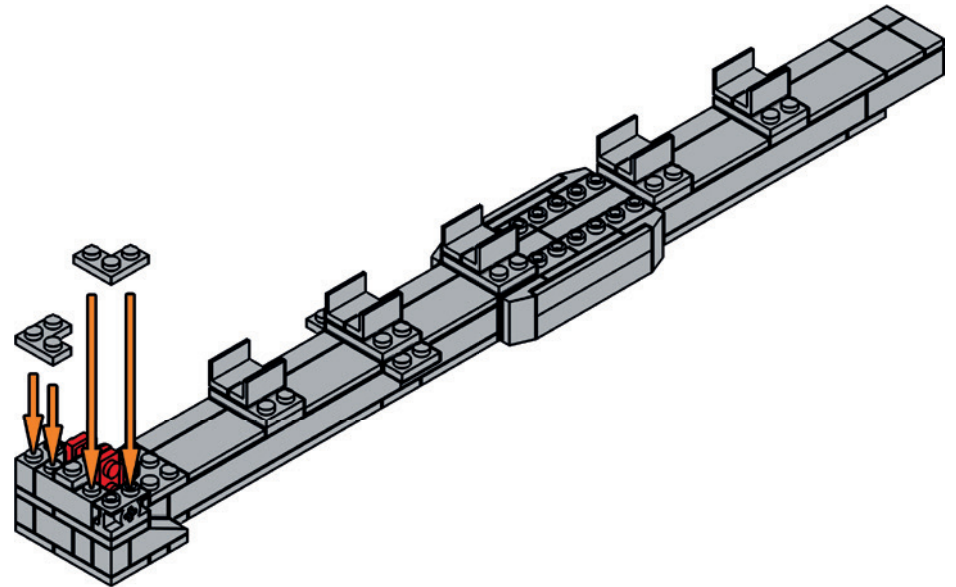
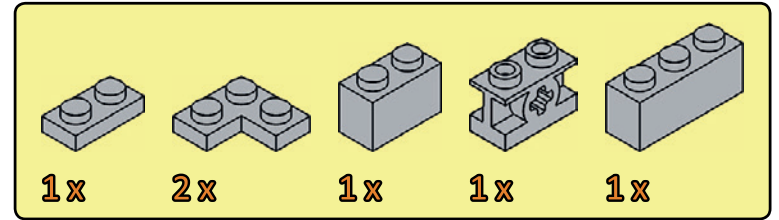
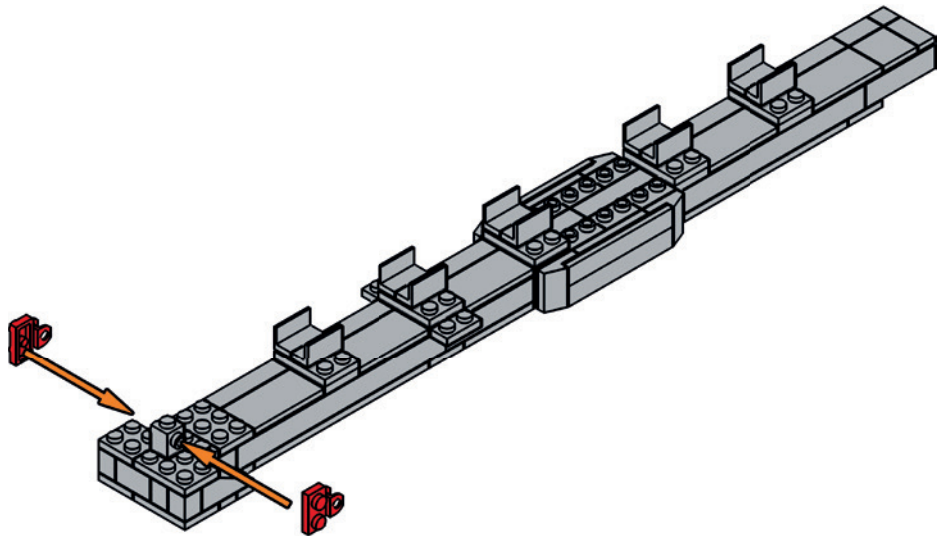
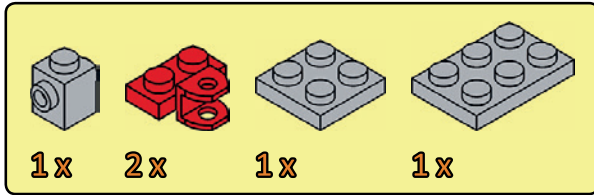


M38-70093



*Alseas*

# Step 36



# Step 37

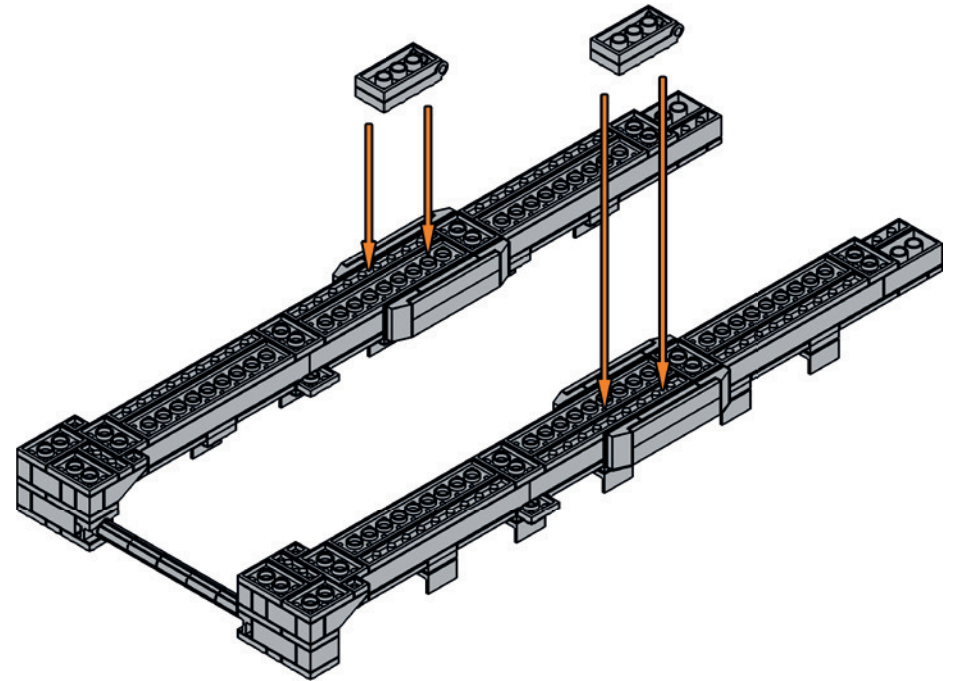
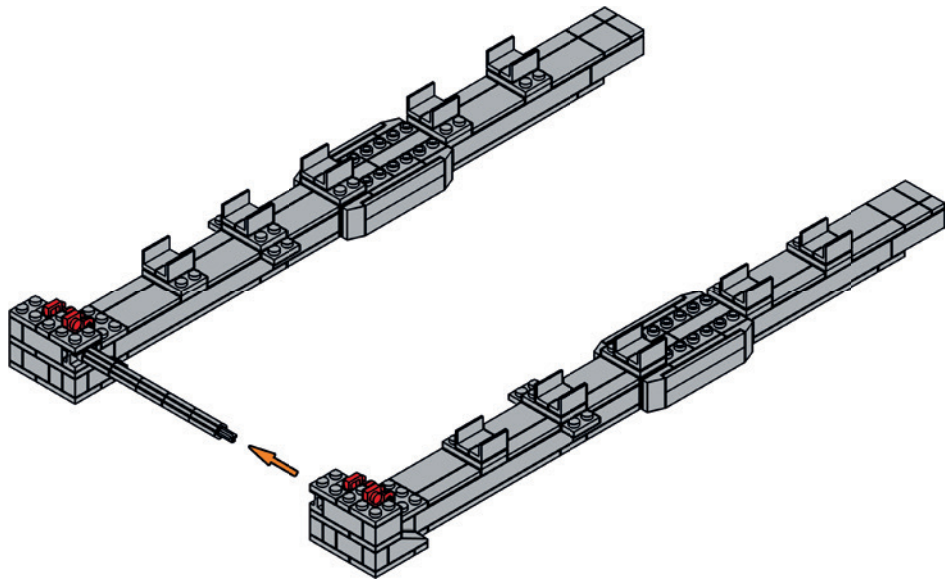
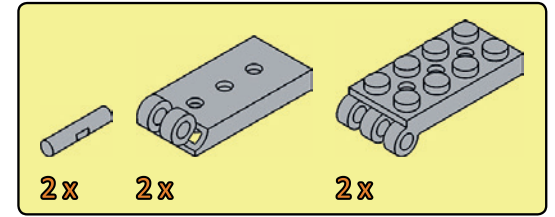
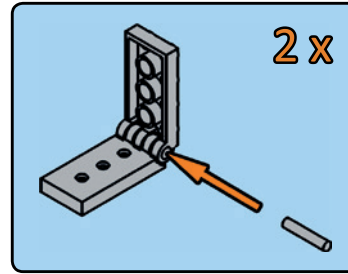
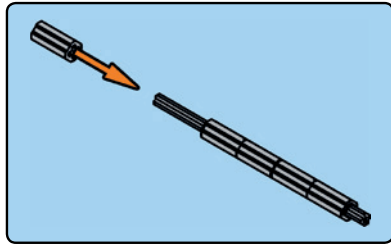
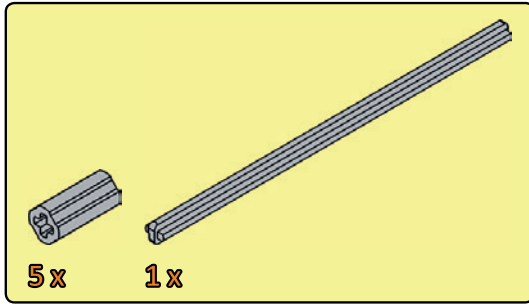


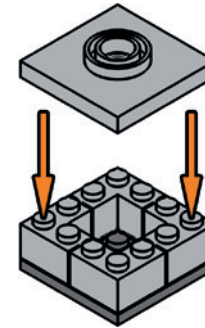
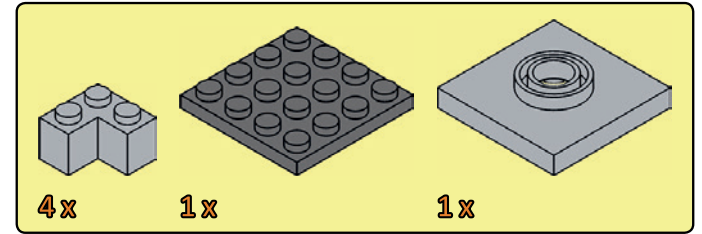
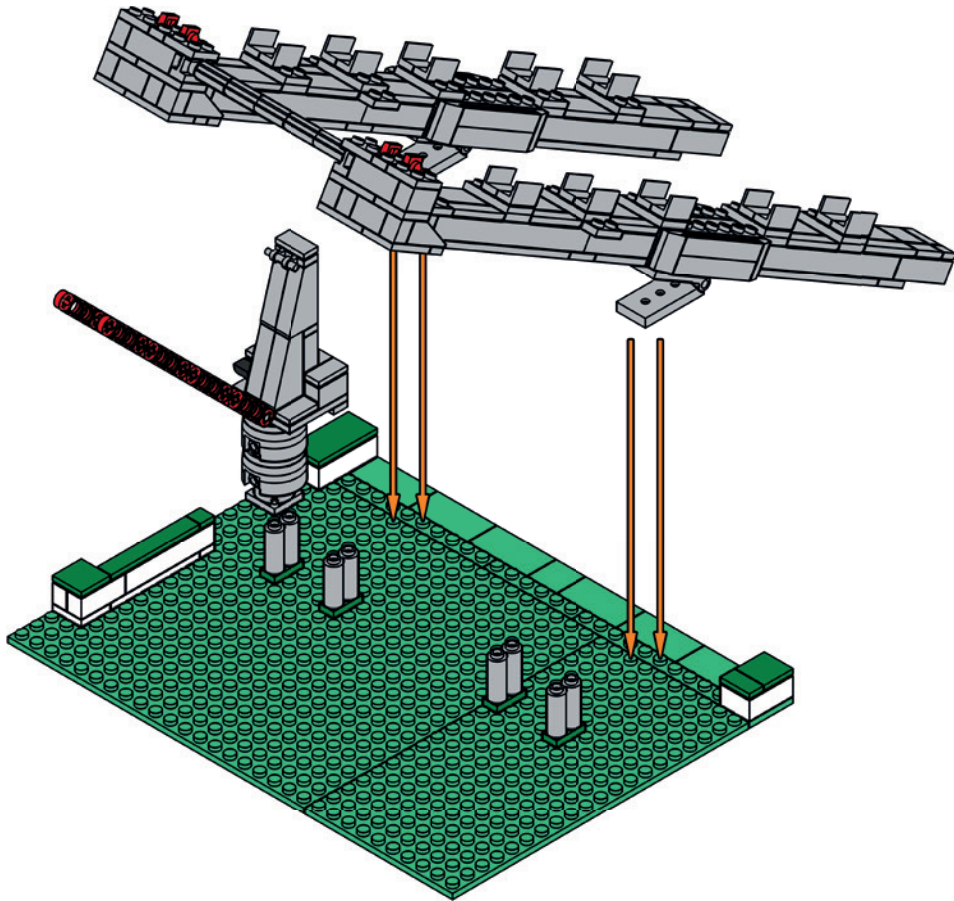
M38-70093



*alseas*

# Step 38





# Step 41

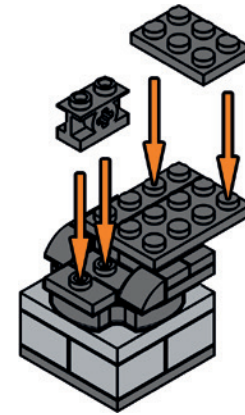
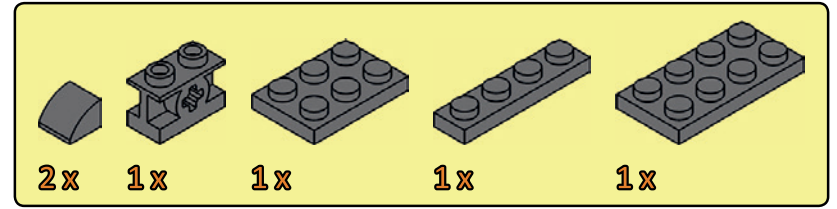
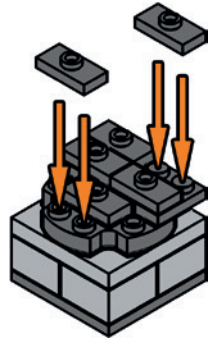
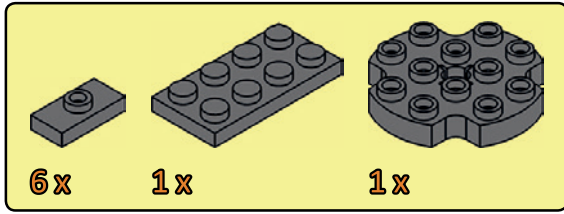


M38-70093



*Atseas*

# Step 42



# Step 43

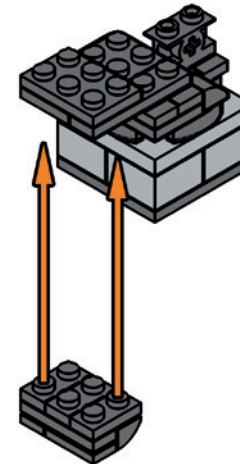
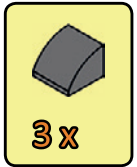
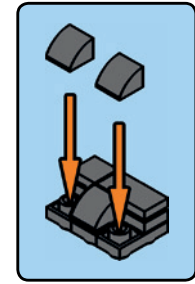
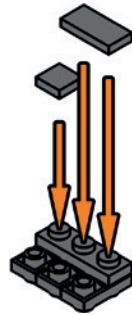
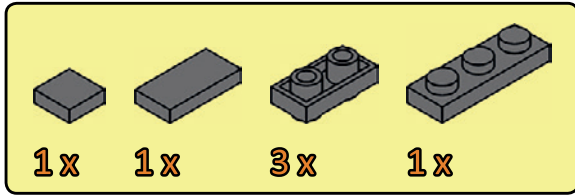


M38-70093



*elseas*

# Step 44



# Step 45

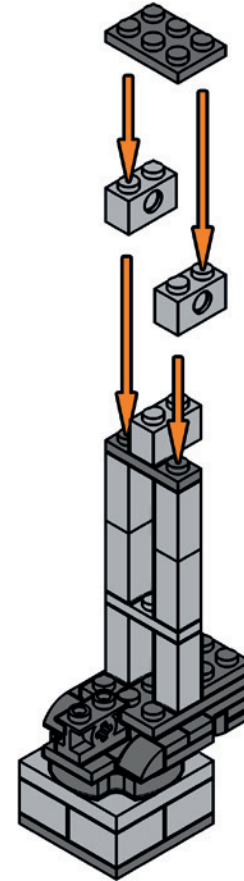
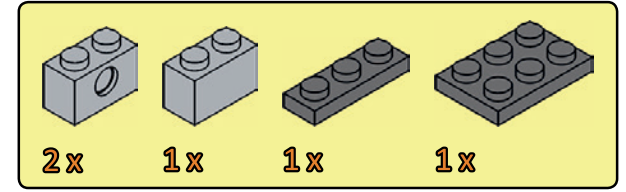
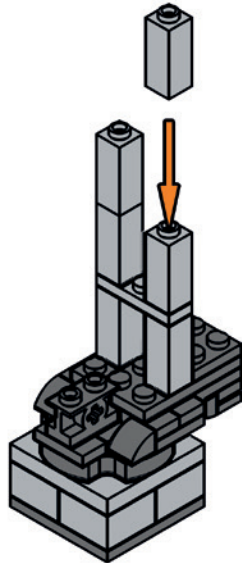
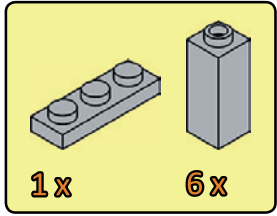


M38-70093



*l/seas*

# Step 46





# Step 47

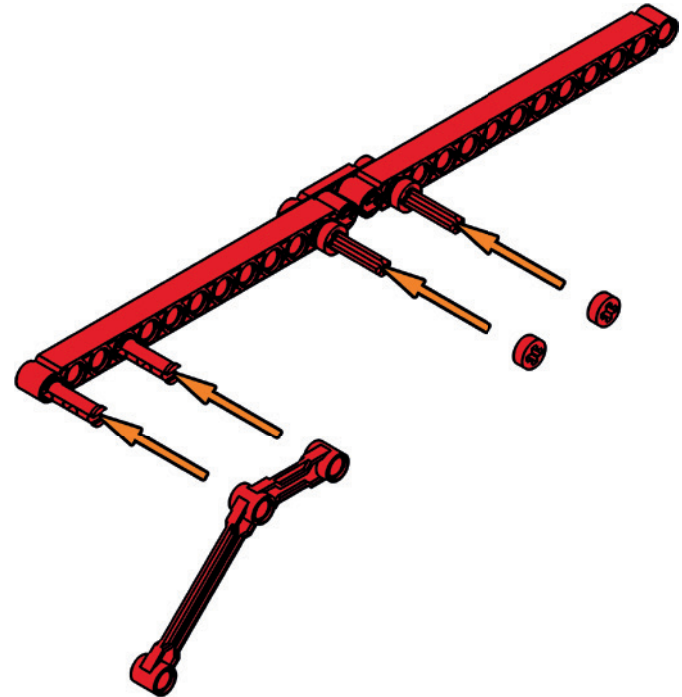
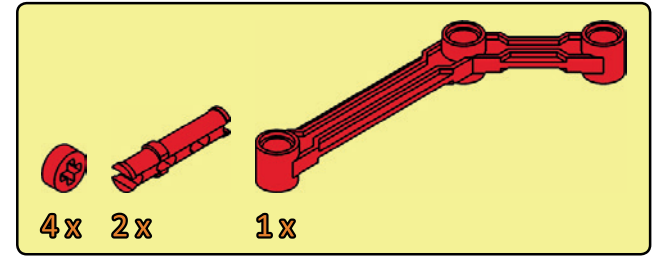
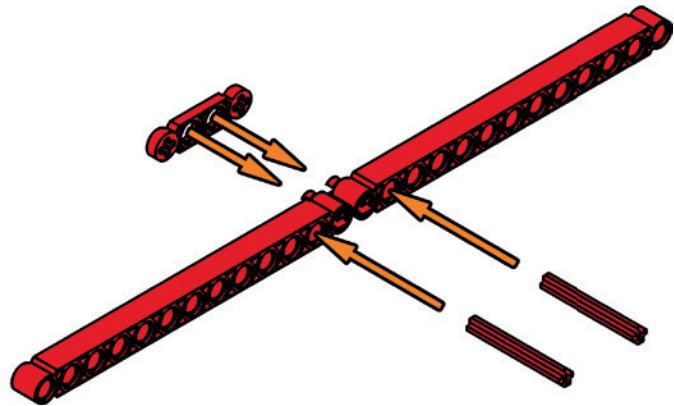
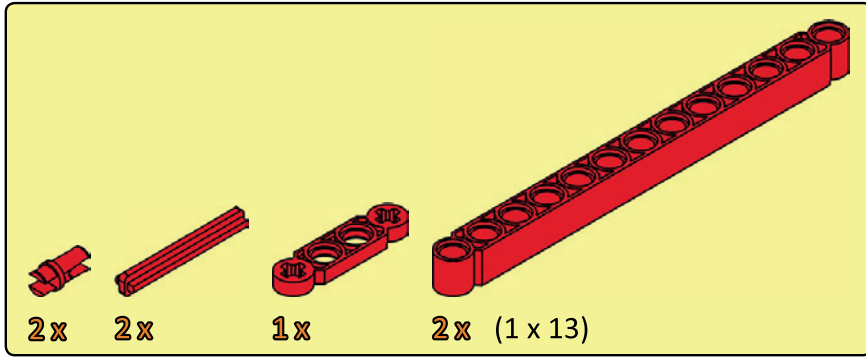


M38-70093



*l*seas

# Step 48



# Step 49

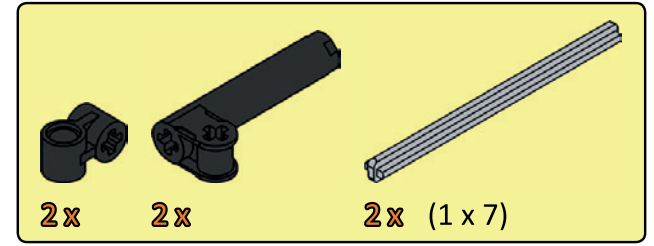
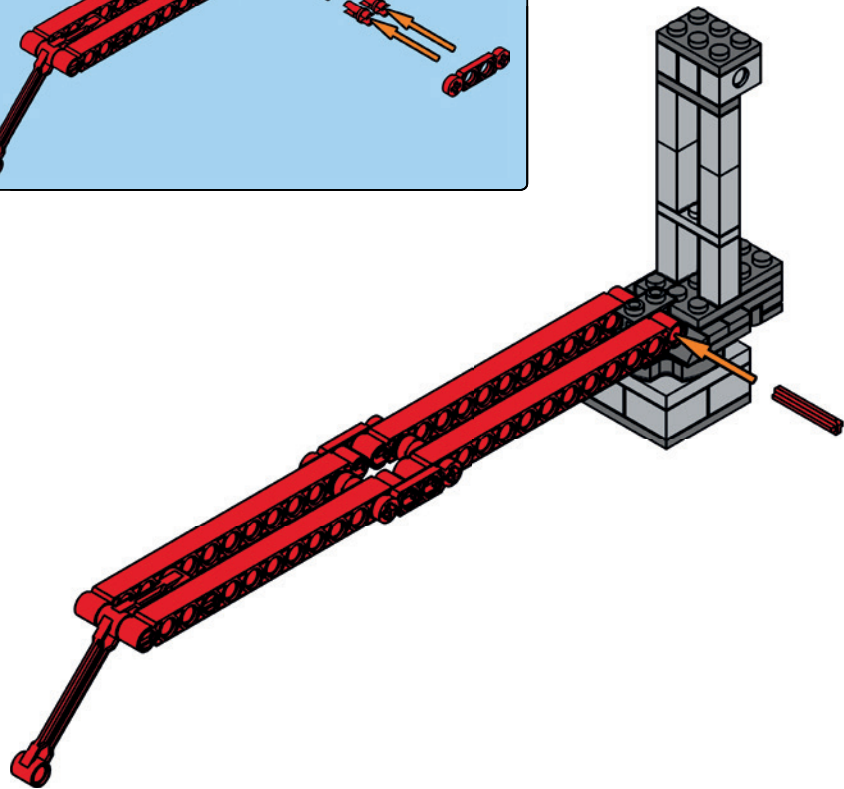
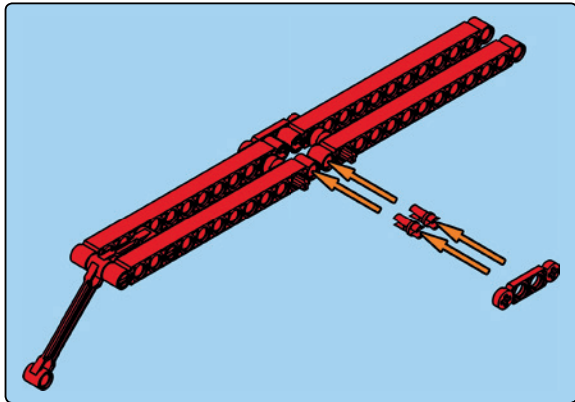
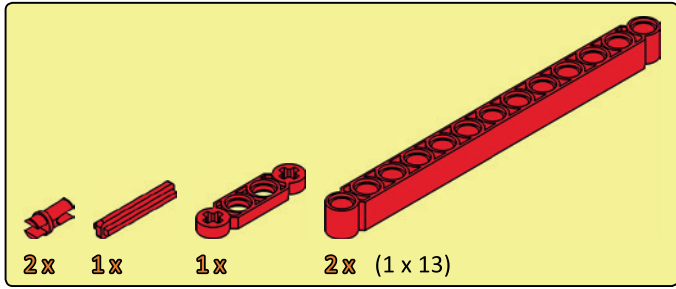


M38-70093



*elseas*

# Step 50



# Step 51

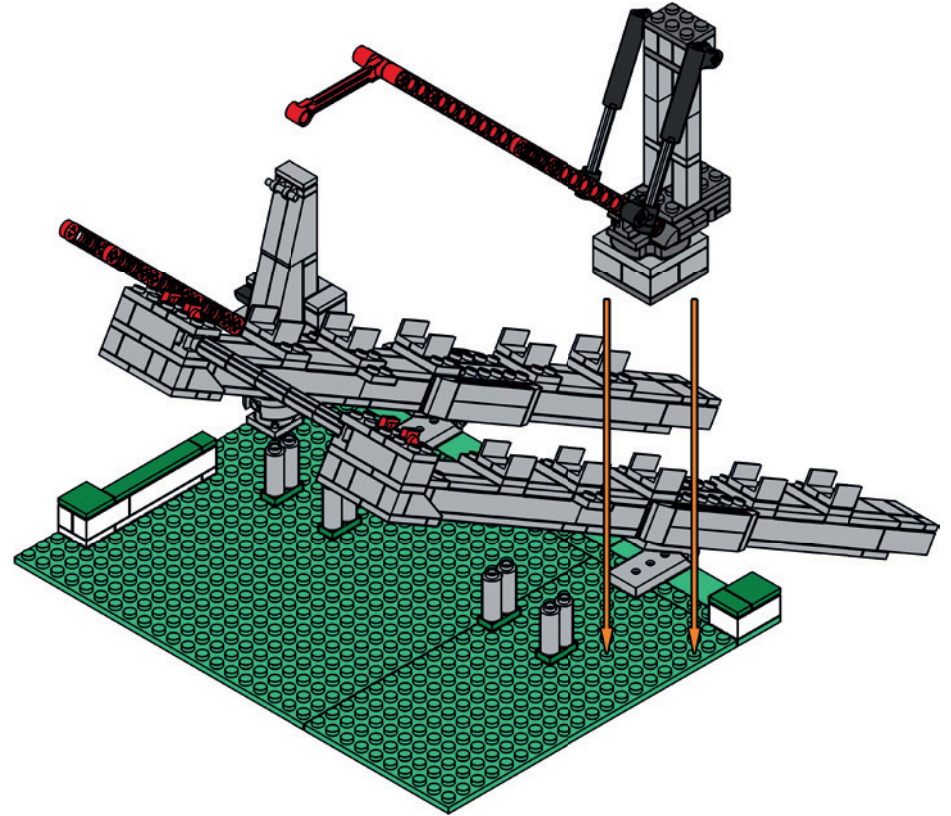
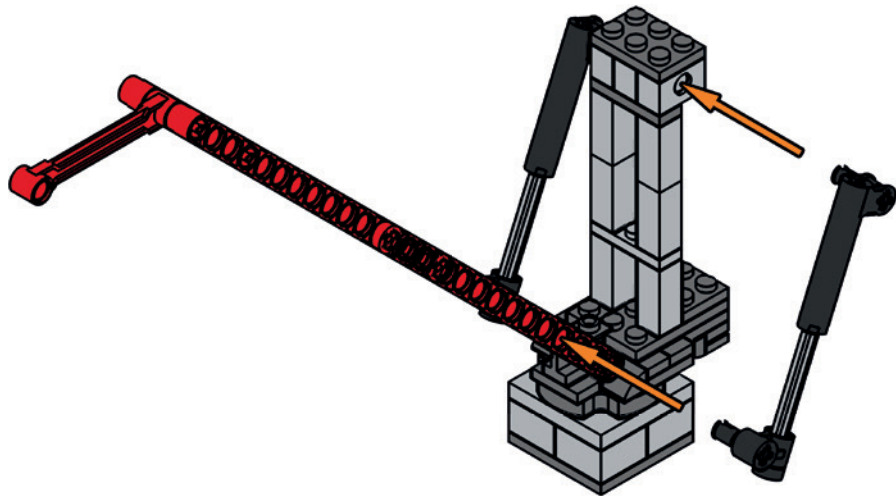
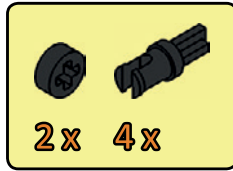
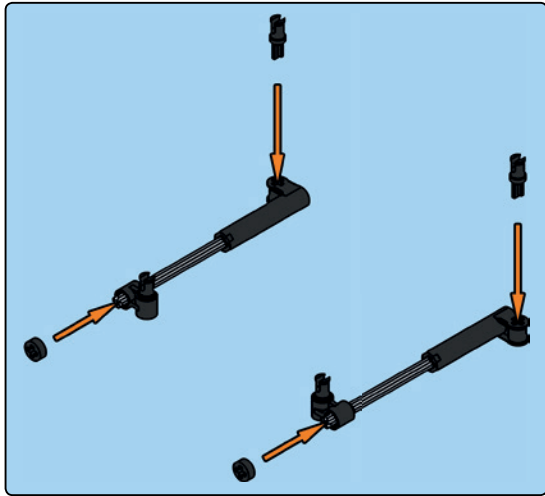


M38-70093



Iseas

# Step 52



# Step 53

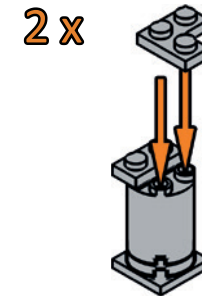
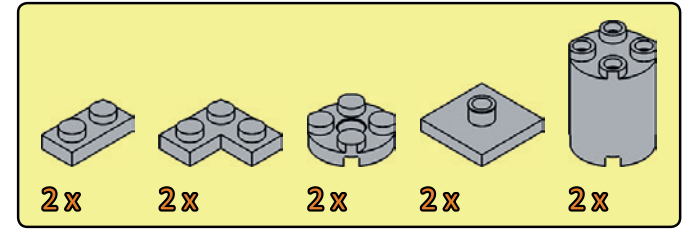
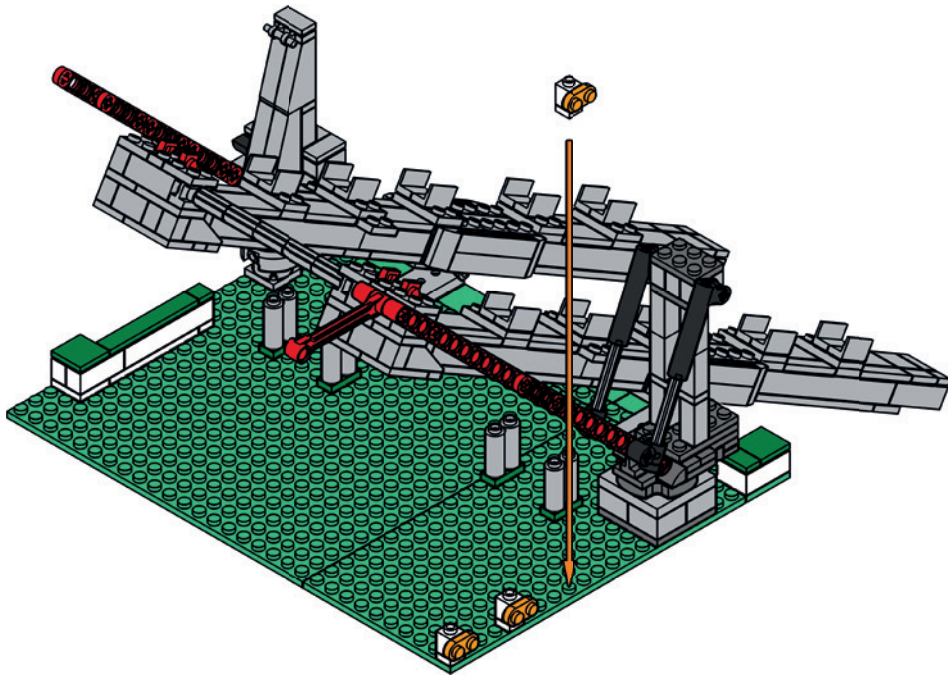
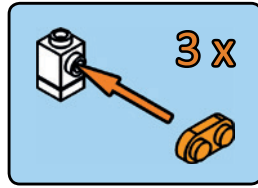
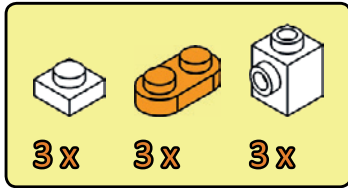


M38-70093



*elseas*

# Step 54



# Step 55

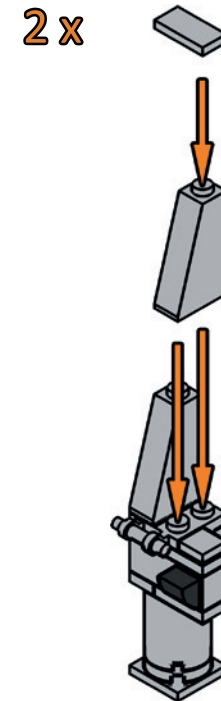
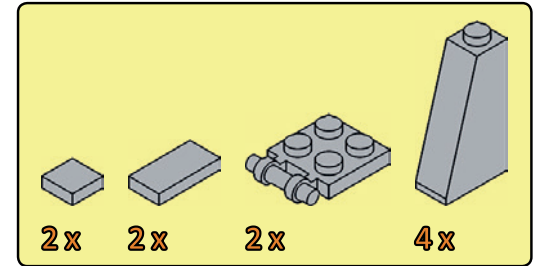
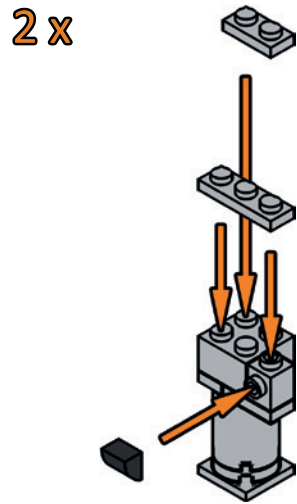
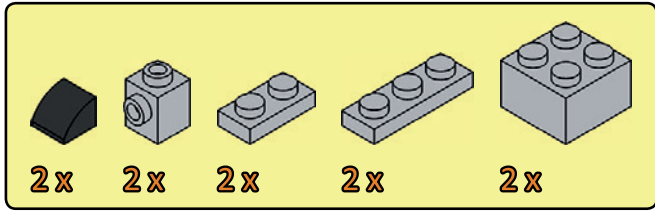


M38-70093



*Alseas*

# Step 56



# Step 57

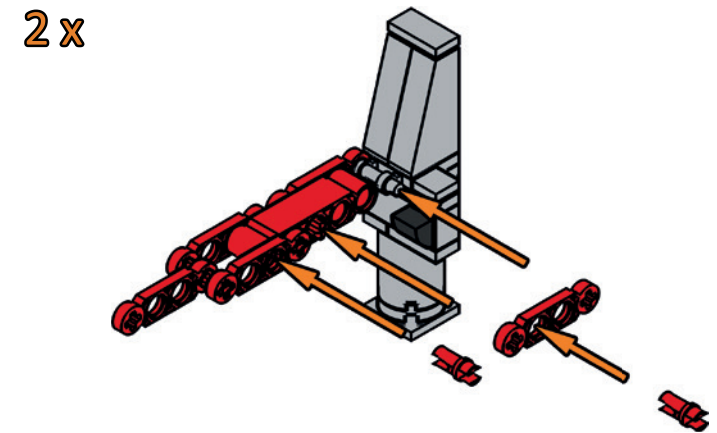
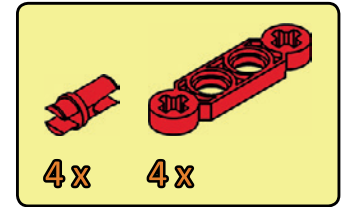
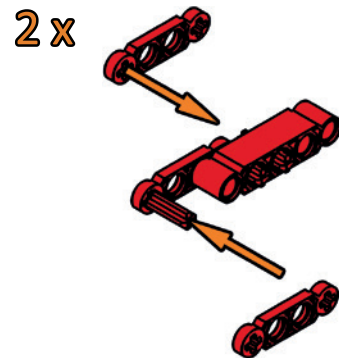
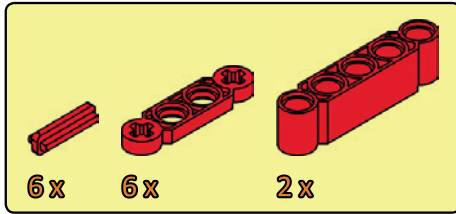


M38-70093



*elseas*

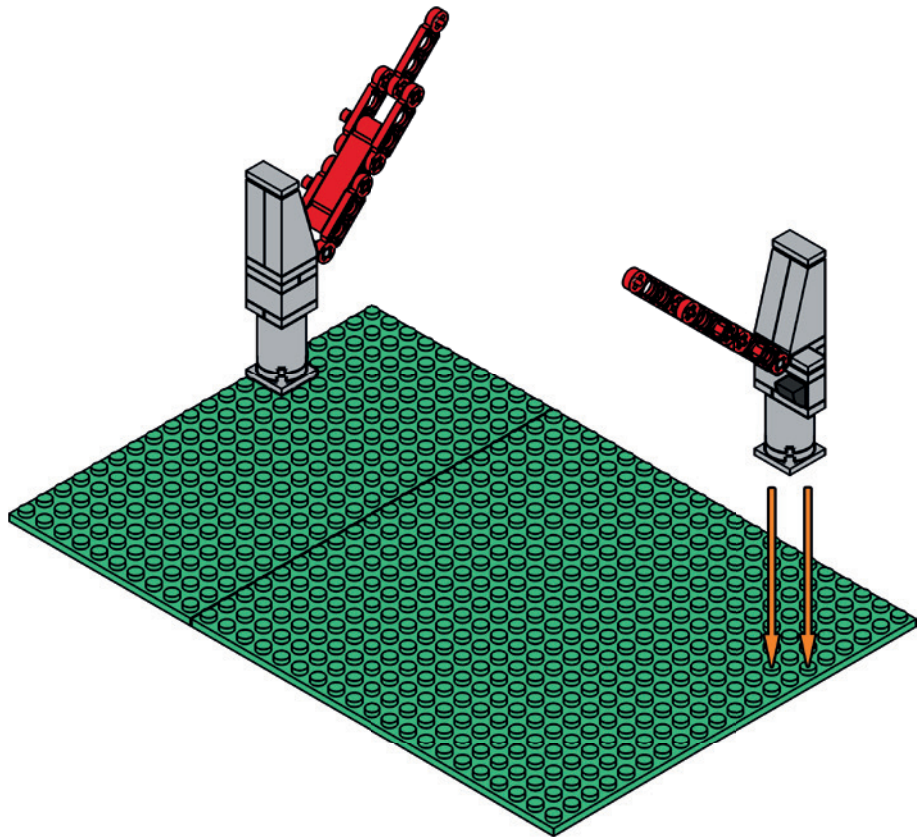
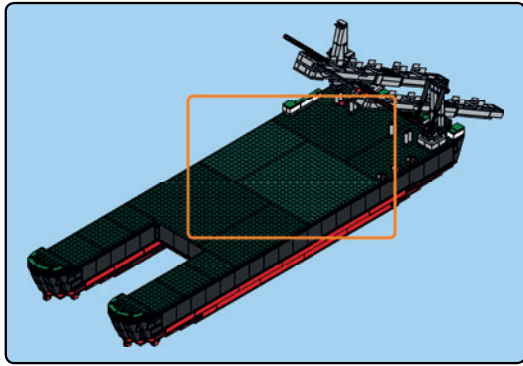
# Step 58



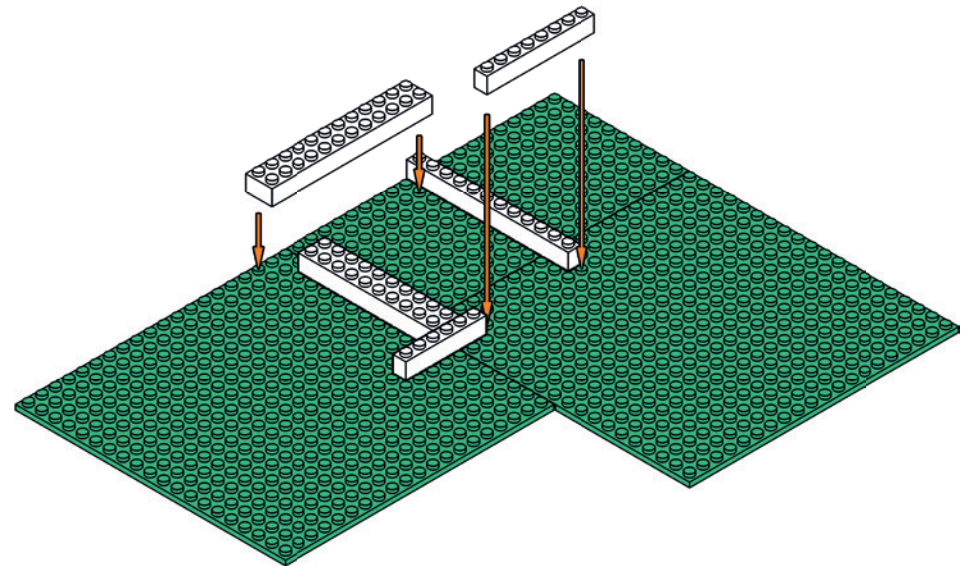
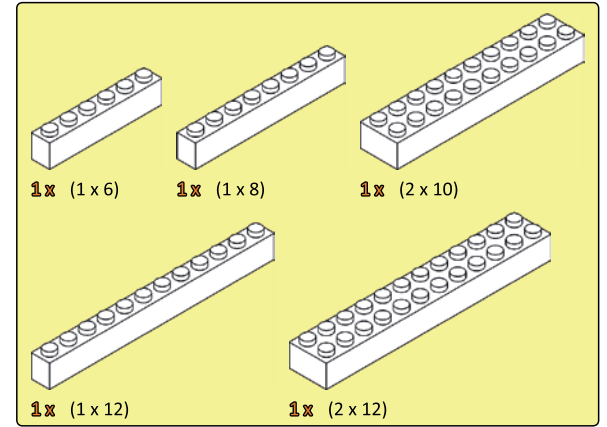
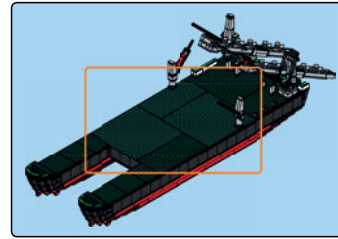
# Step 59



M38-70093



# Step 60



# Step 61

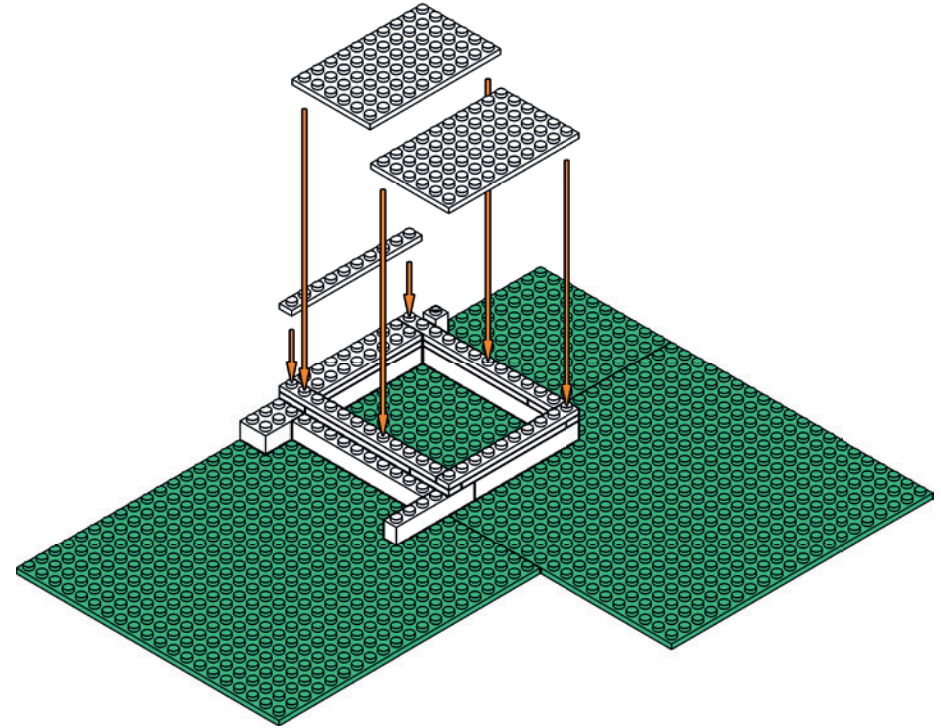
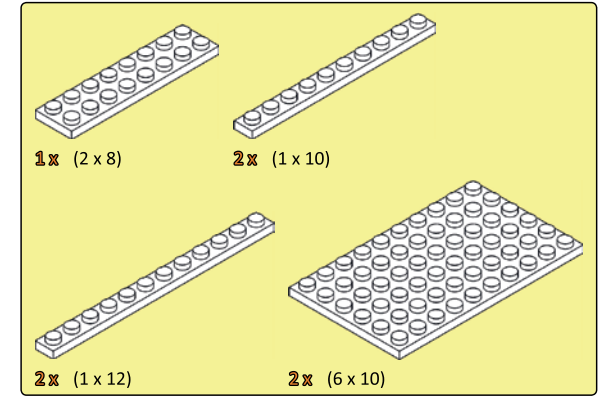
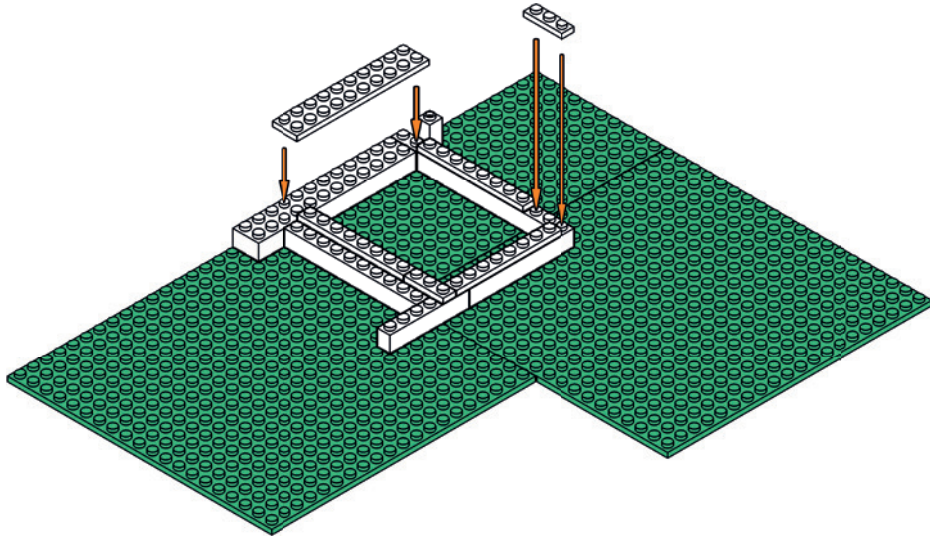
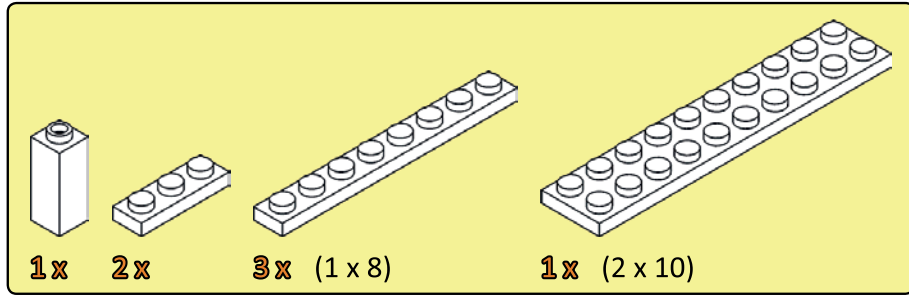


M38-70093



Iseas

# Step 62





# Step 63

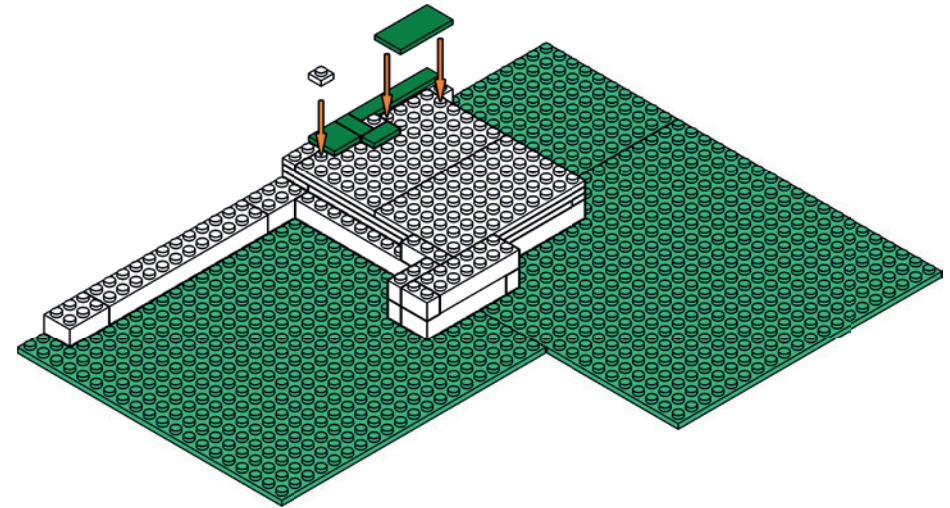
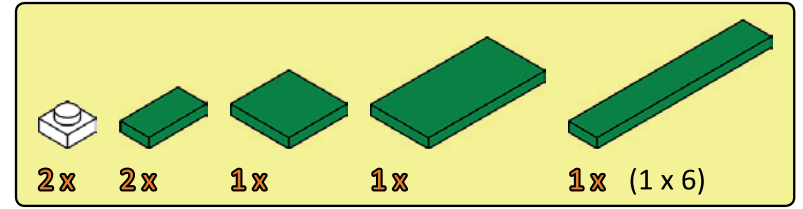
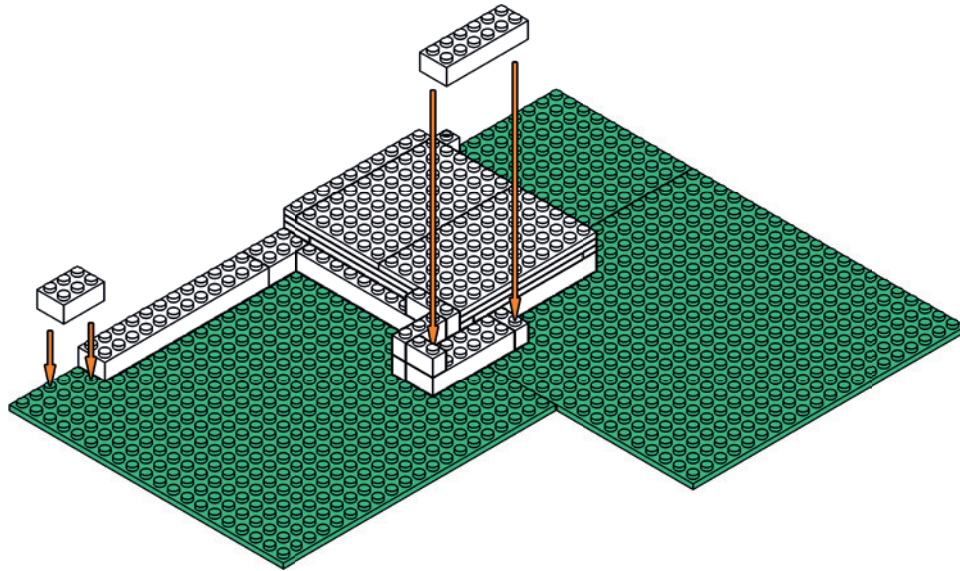
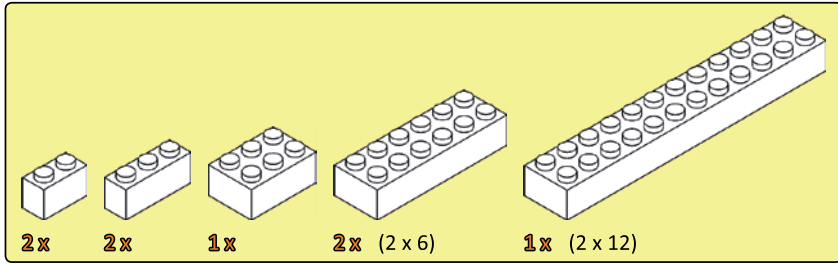


M38-70093



*alseas*

# Step 64



# Step 65

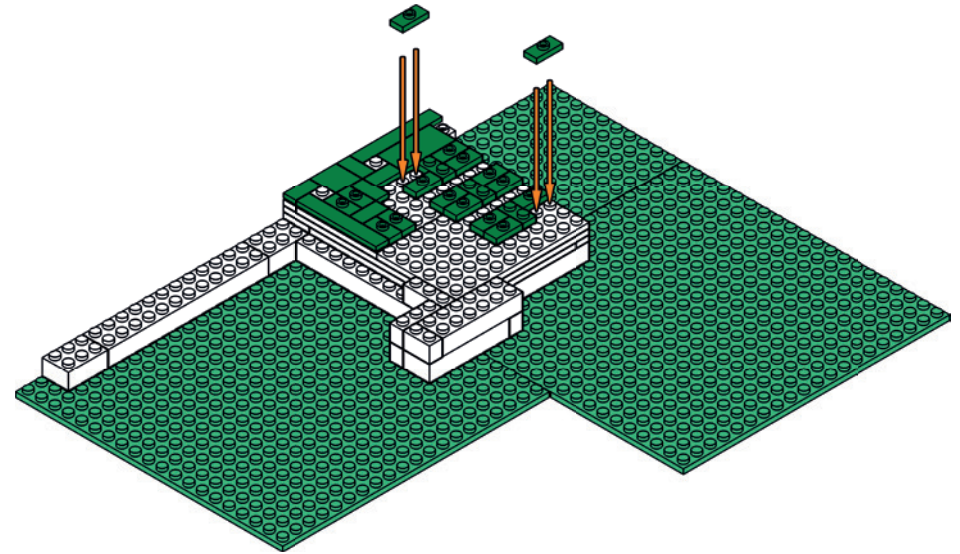
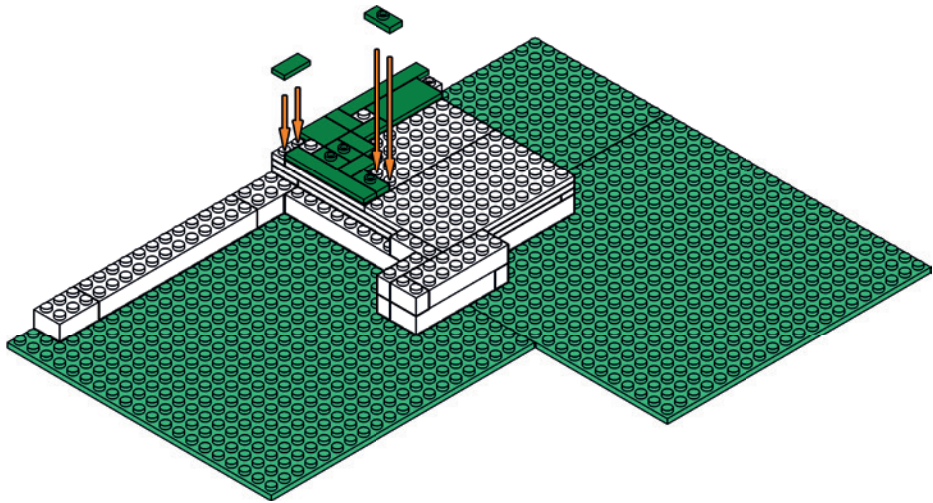
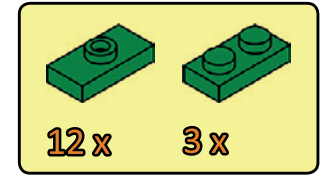
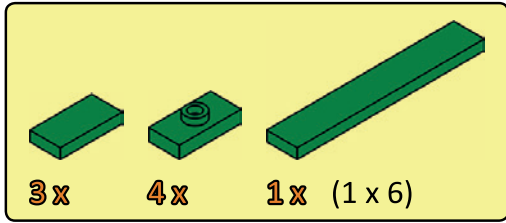


M38-70093



*Iseas*

# Step 66



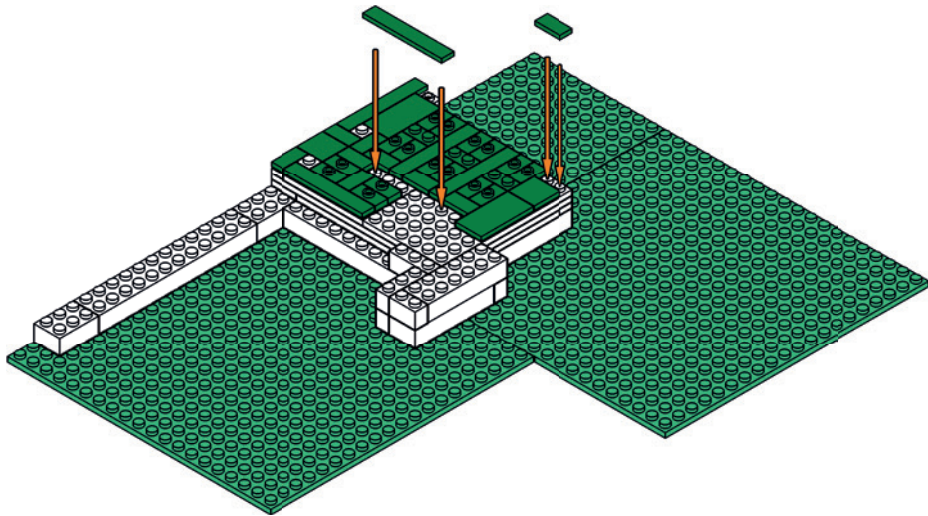
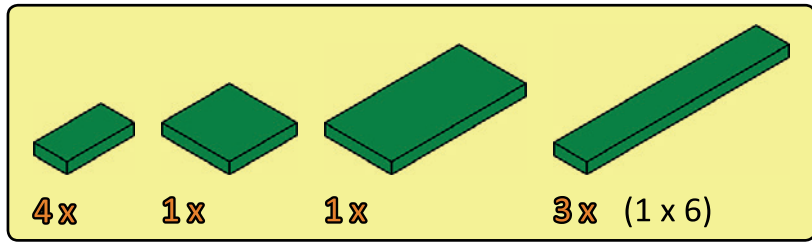
# Step 67



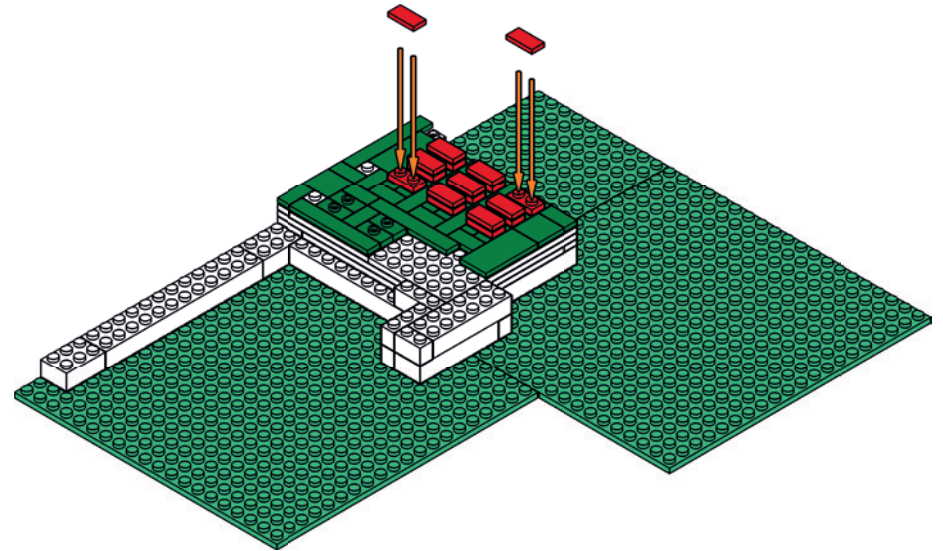
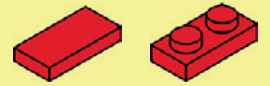
M38-70093



Iseas



# Step 68



# Step 69

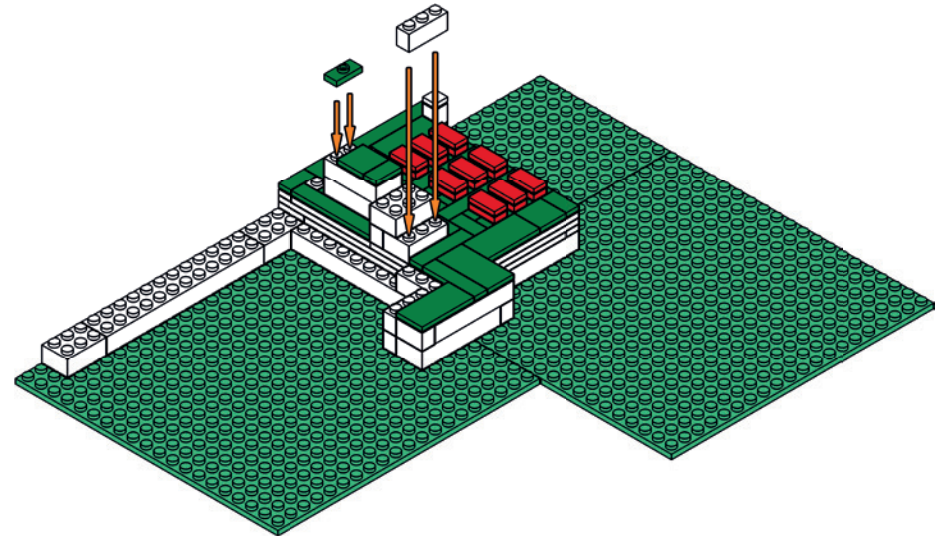
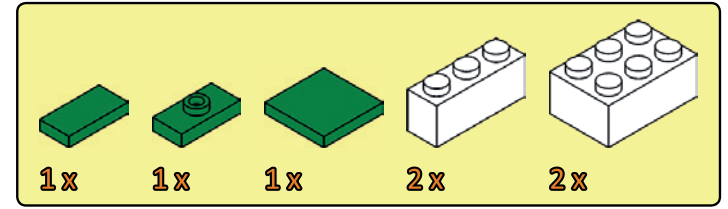
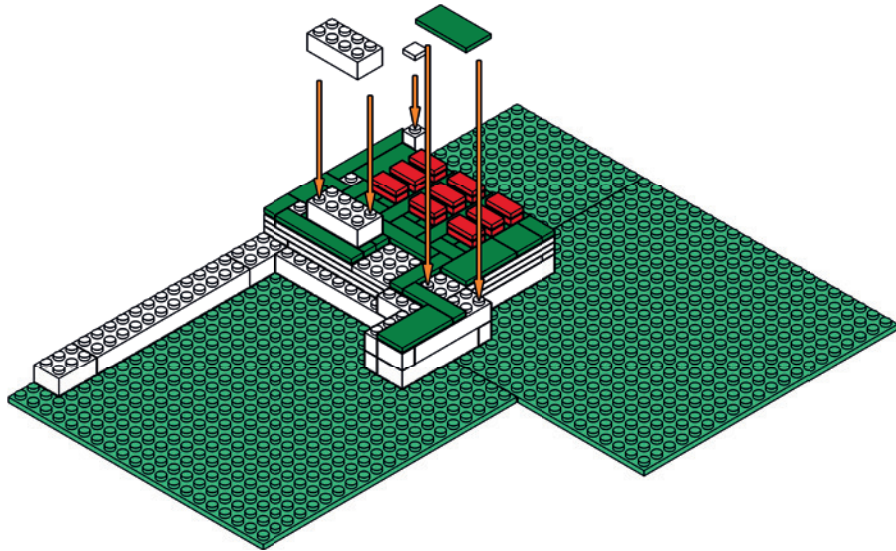
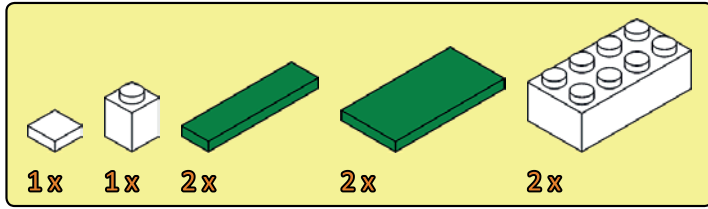


M38-70093



*alseas*

# Step 70



# Step 71

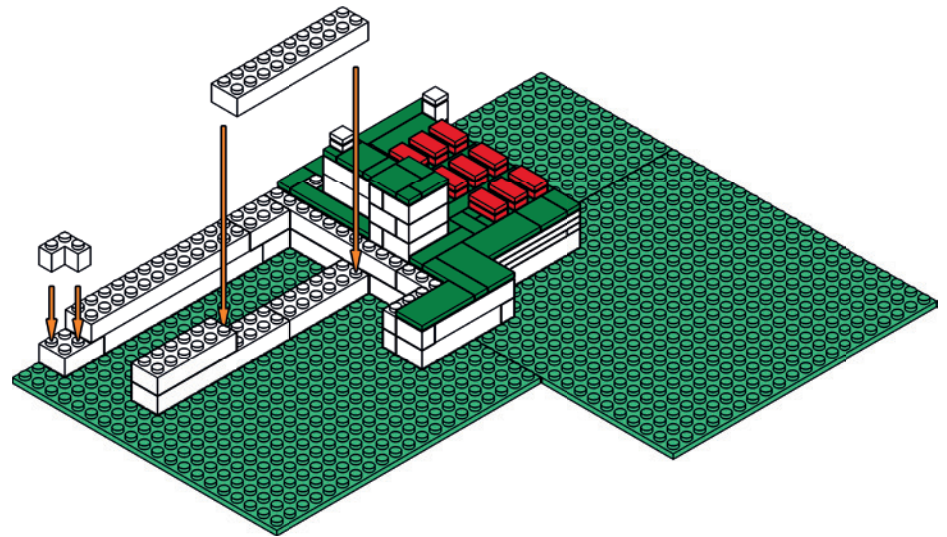
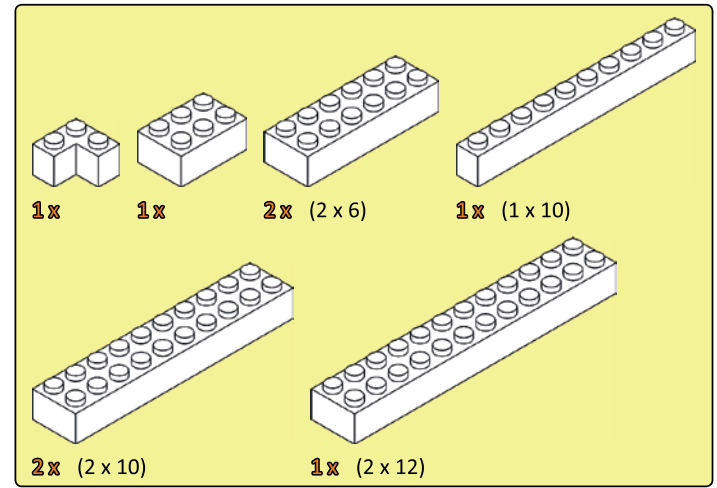
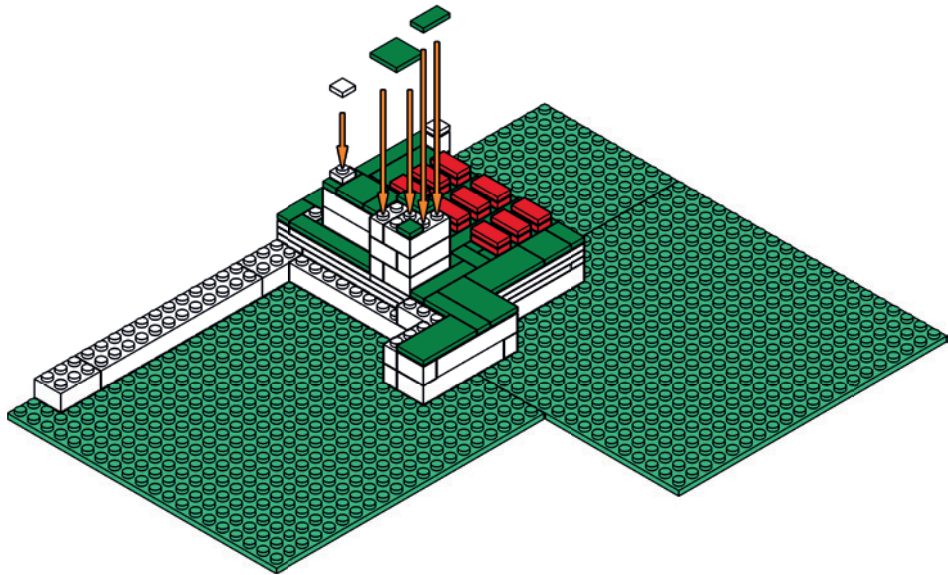


M38-70093



*elseas*

# Step 72



# Step 73

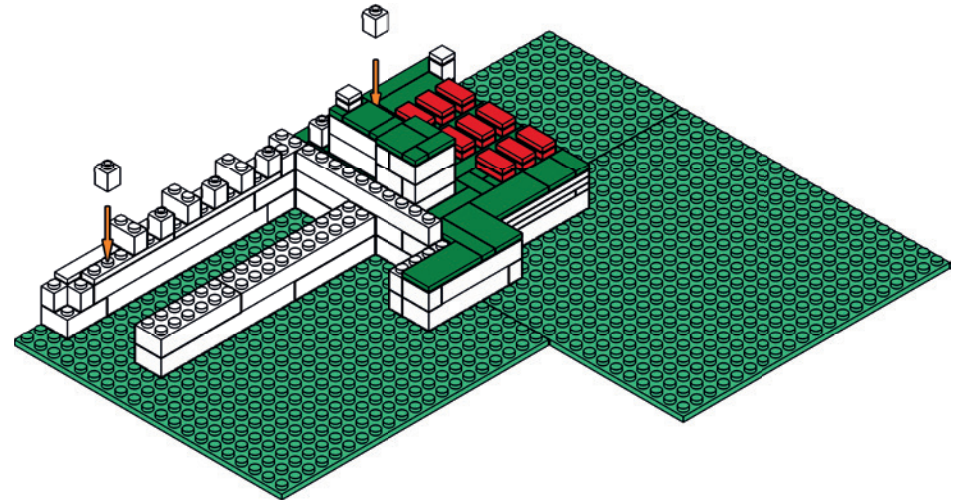
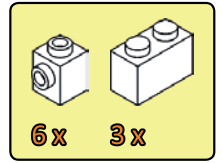
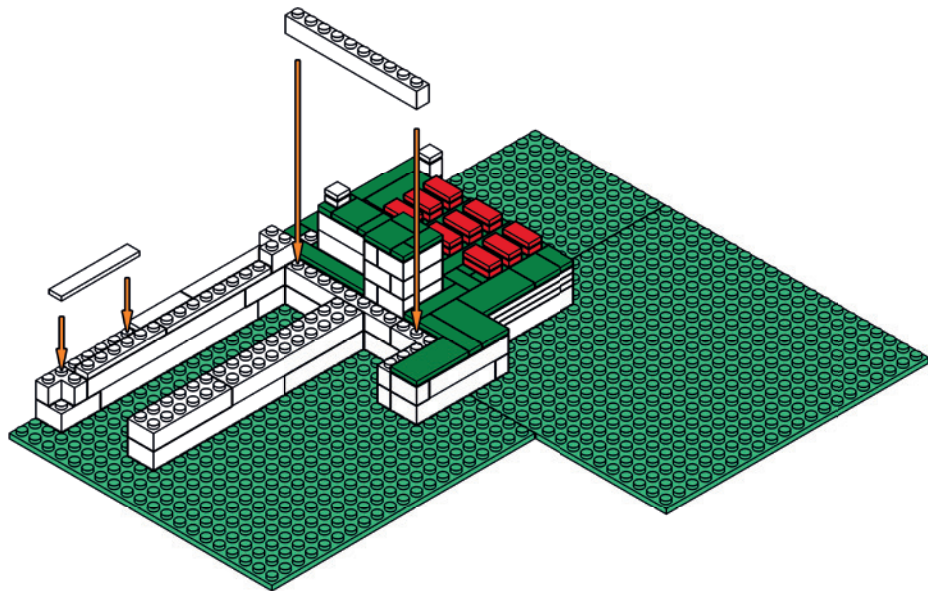
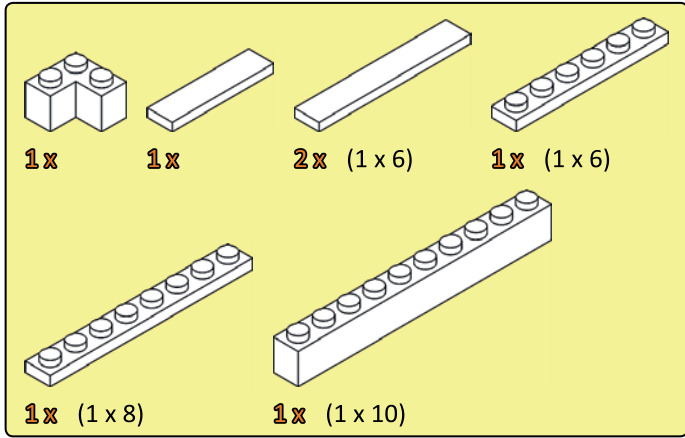


M38-70093



alseas

# Step 74



# Step 75

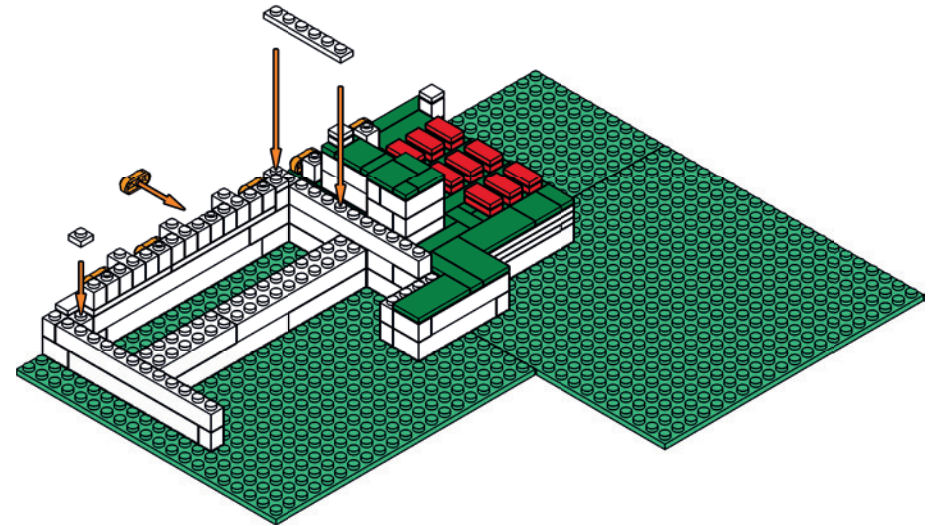
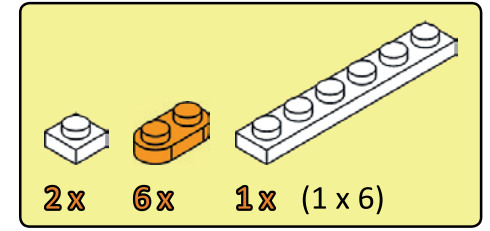
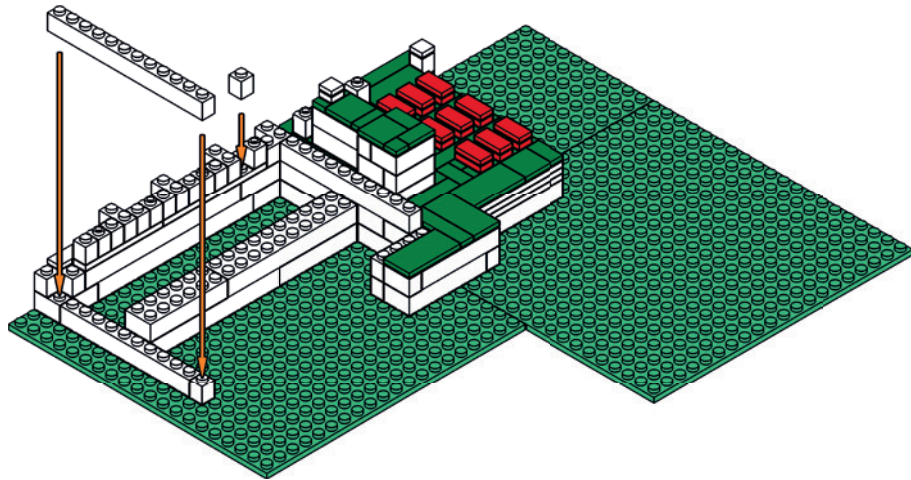
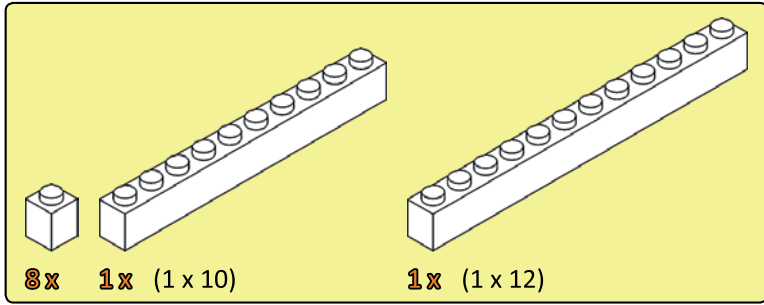


M38-70093



*alseas*

# Step 76



# Step 77

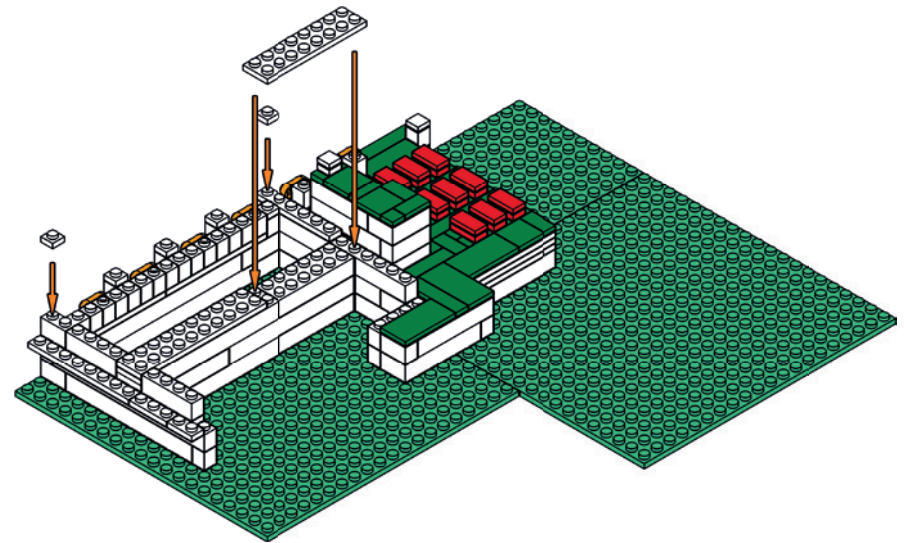
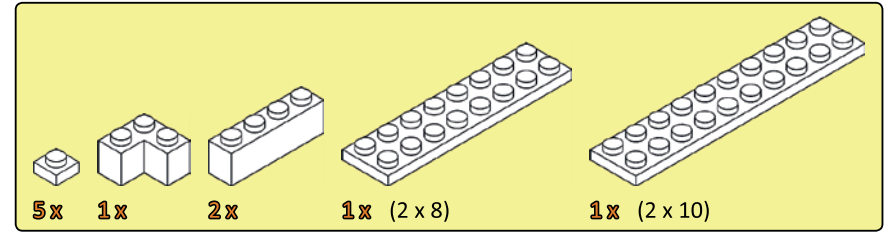
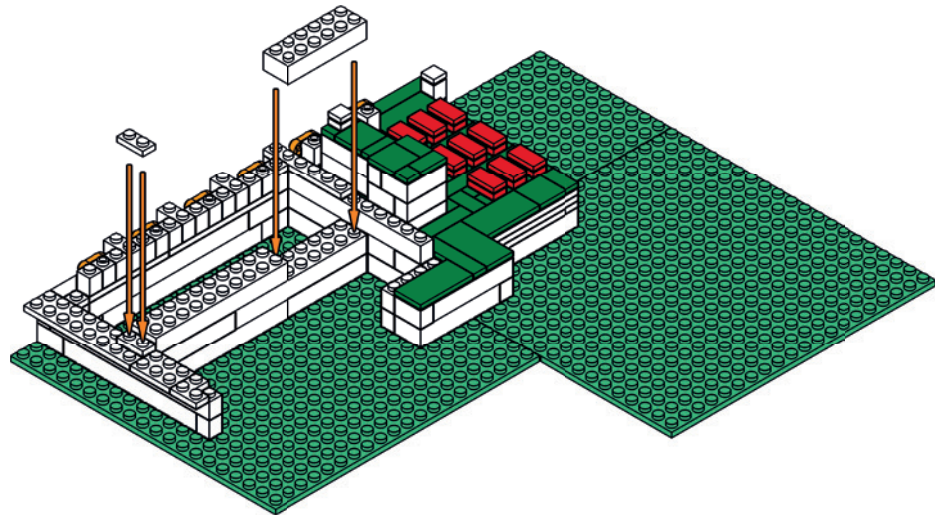
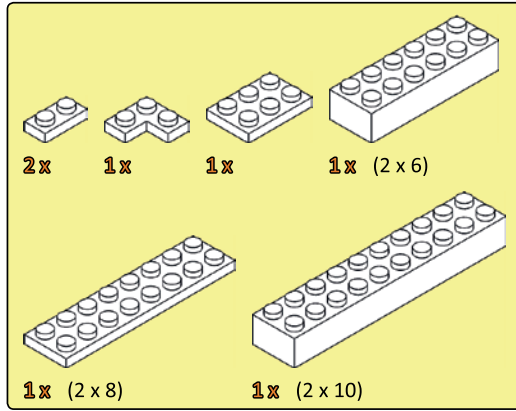


M38-70093



*elseas*

# Step 78





# Step 79

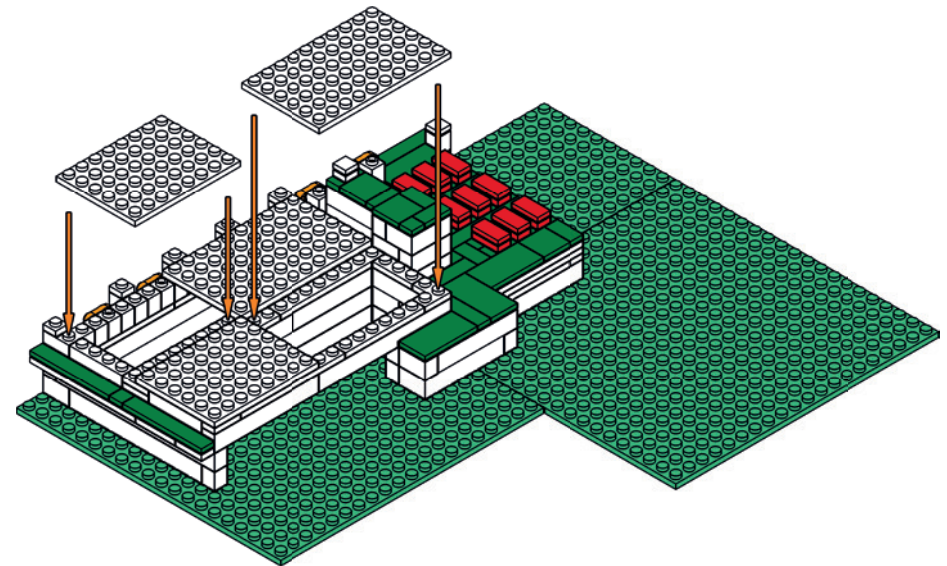
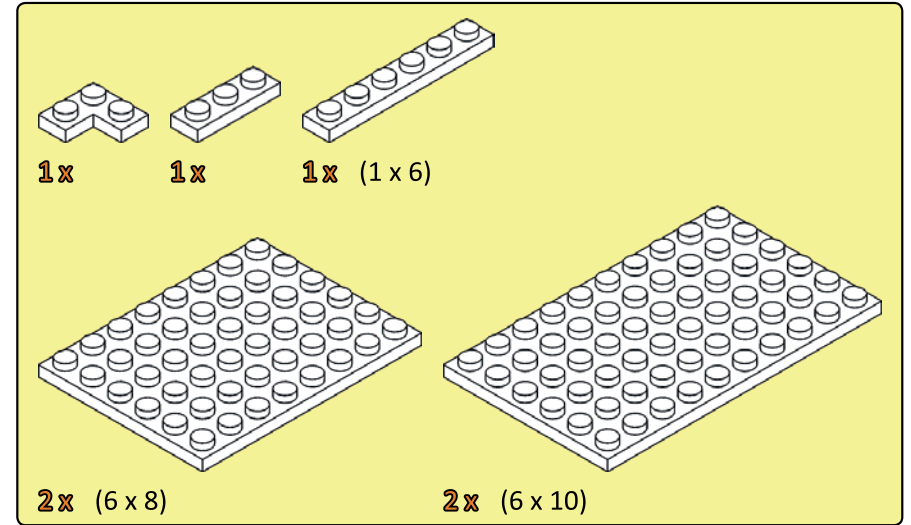
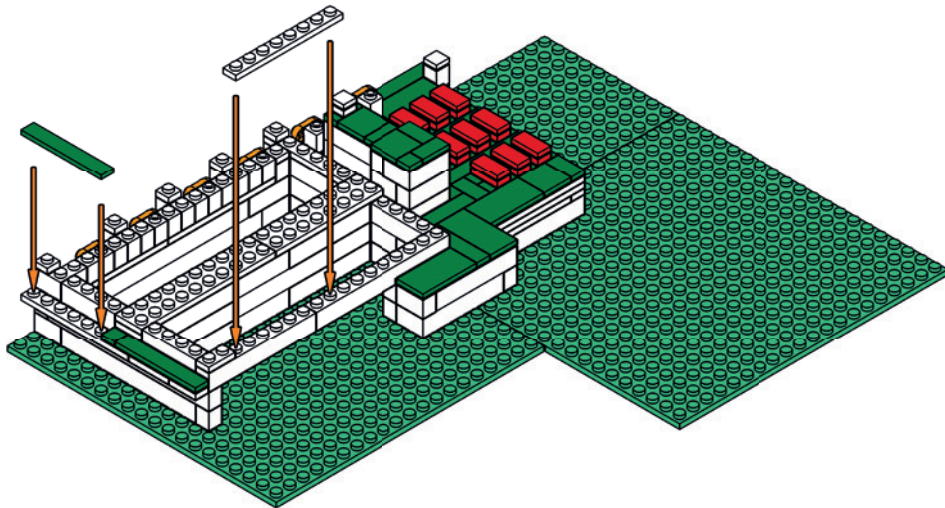
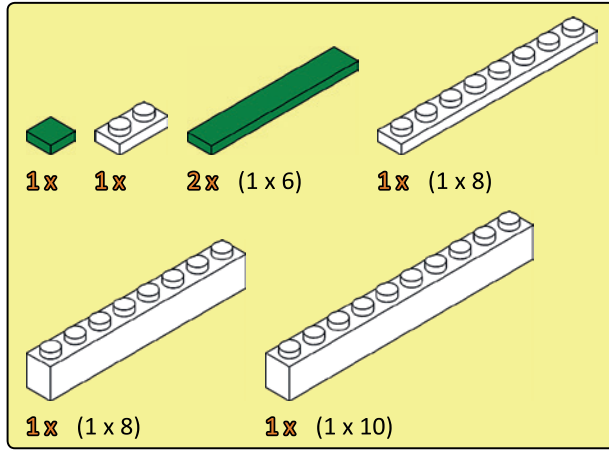


M38-70093



*elseas*

# Step 80



# Step 81

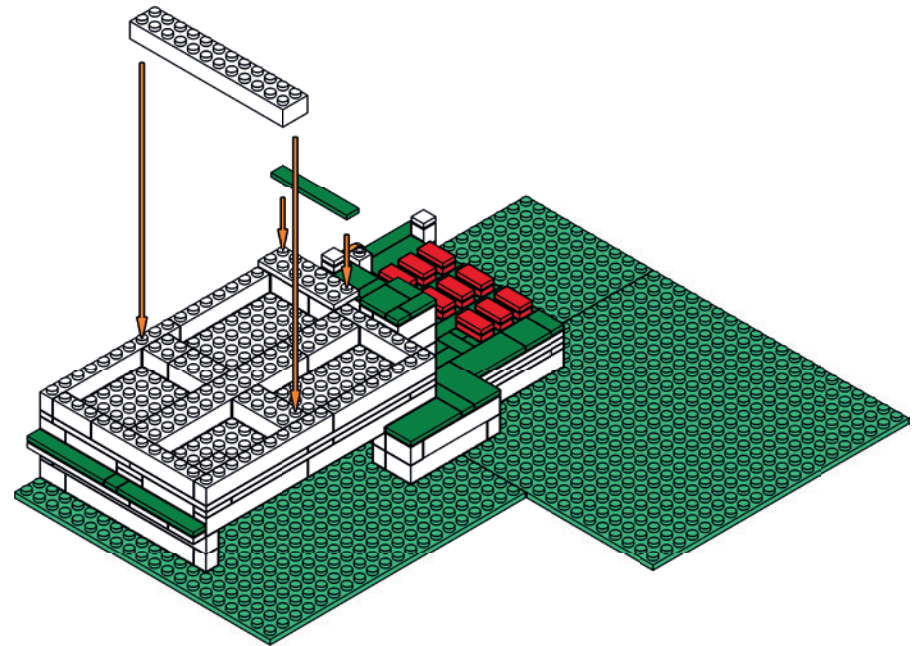
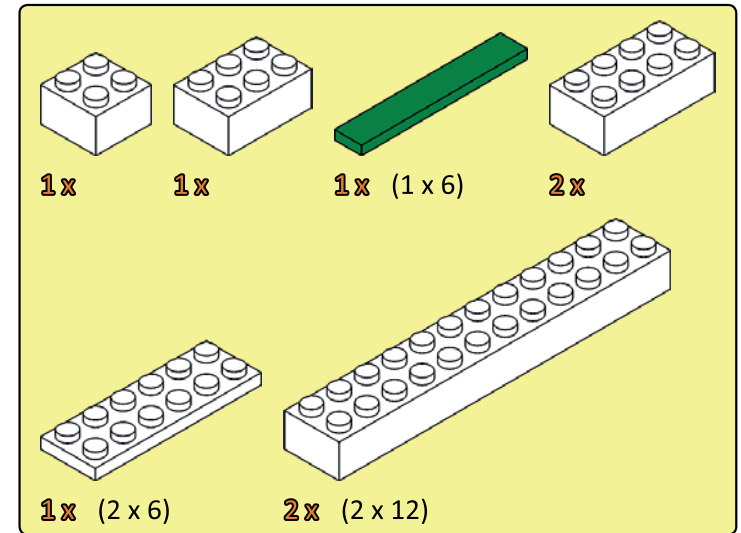
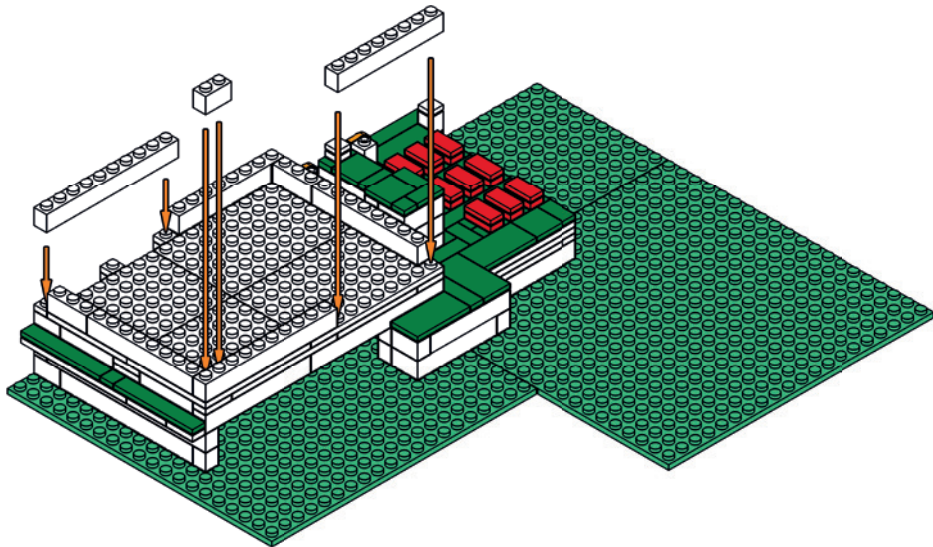
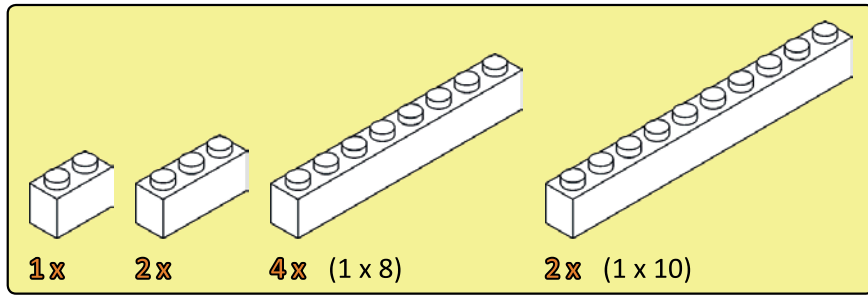


M38-70093



elseas

# Step 82



# Step 83

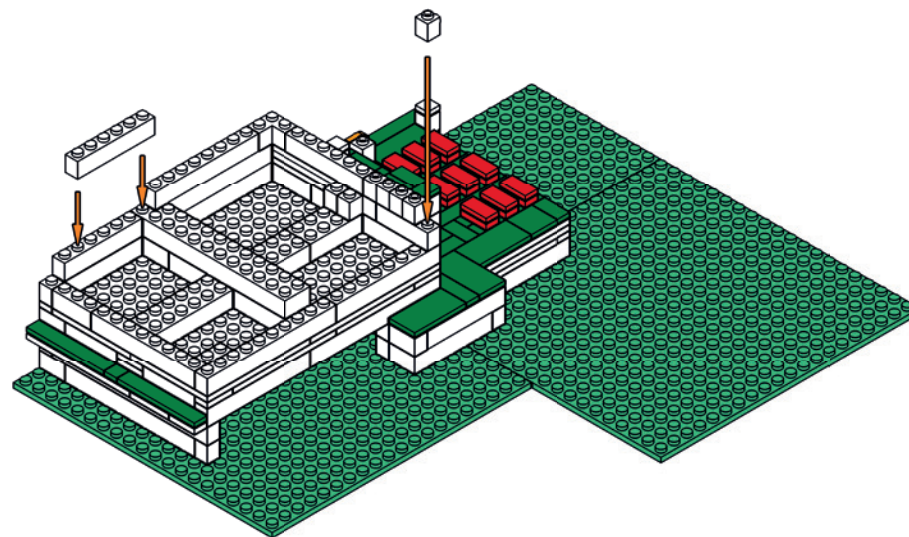
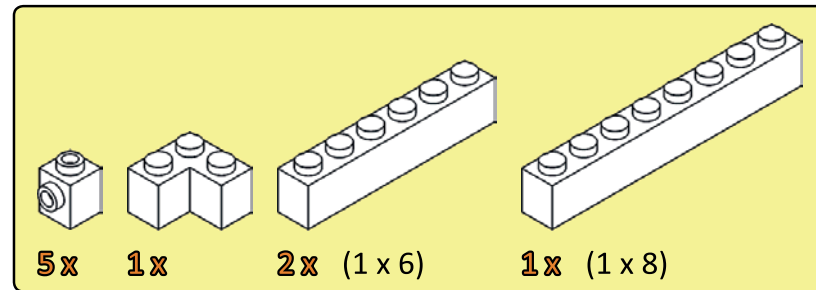
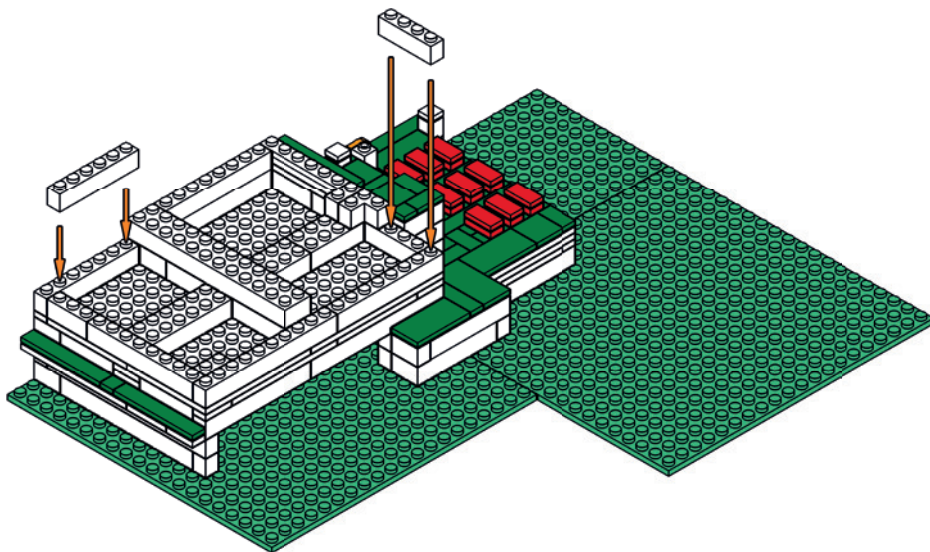
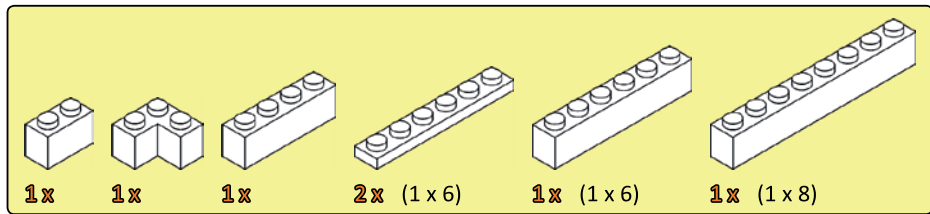


M38-70093



*alseas*

# Step 84



# Step 85

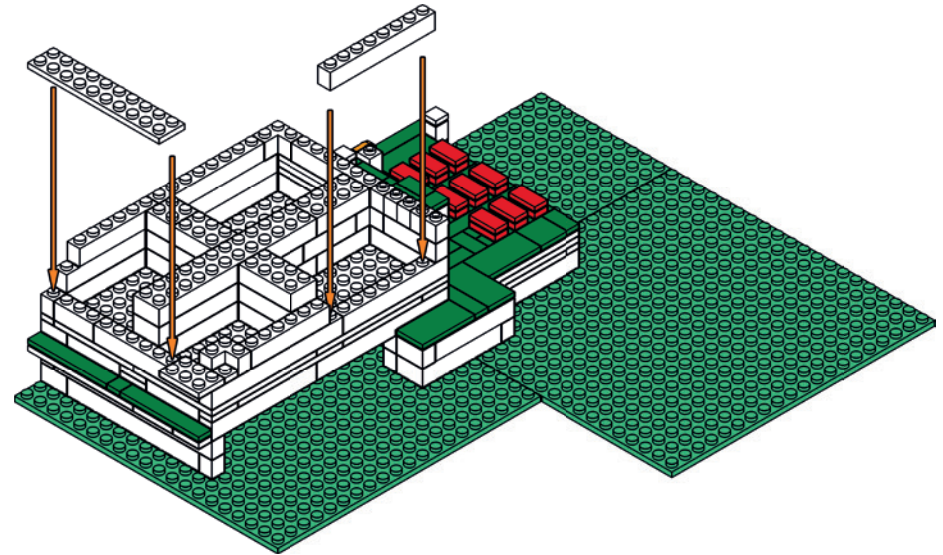
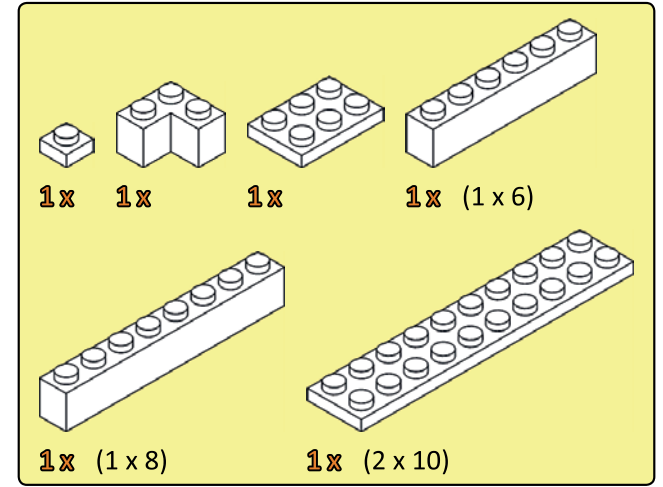
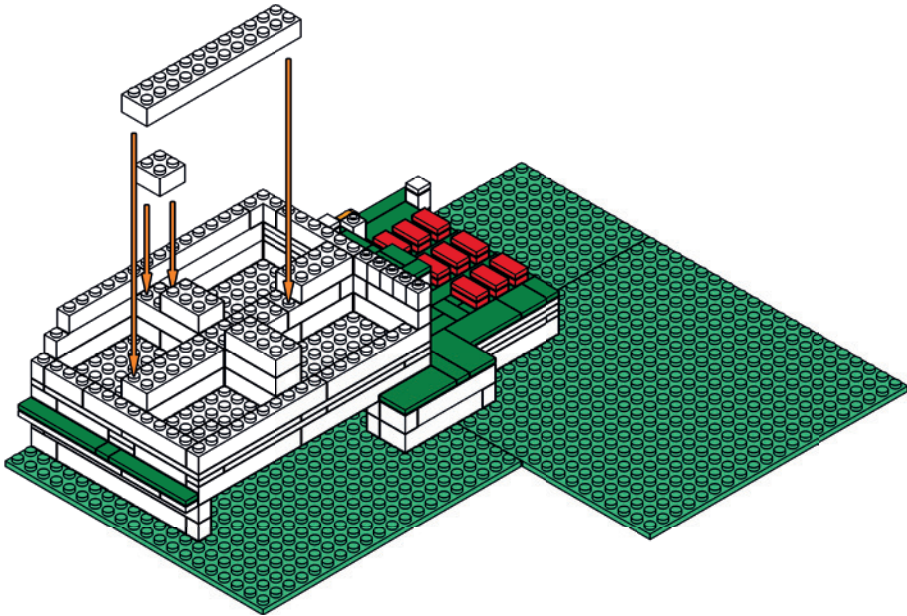
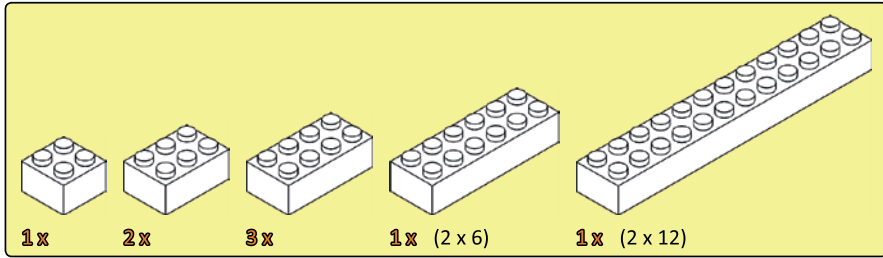


M38-70093



elseas

# Step 86



# Step 87

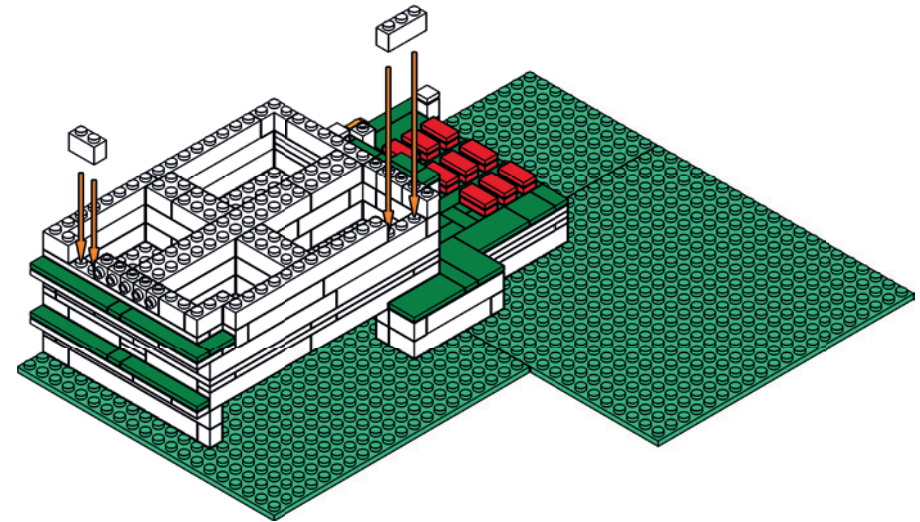
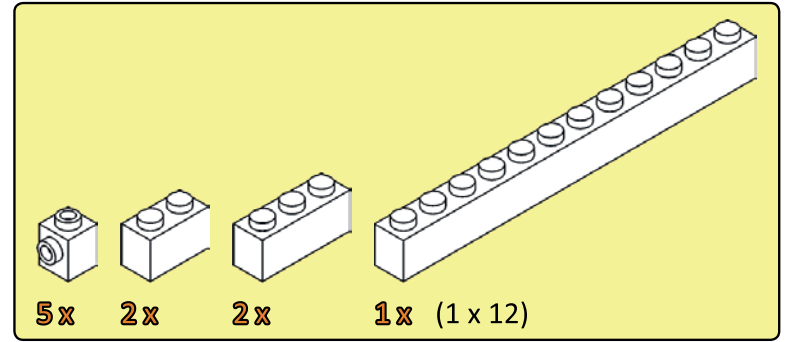
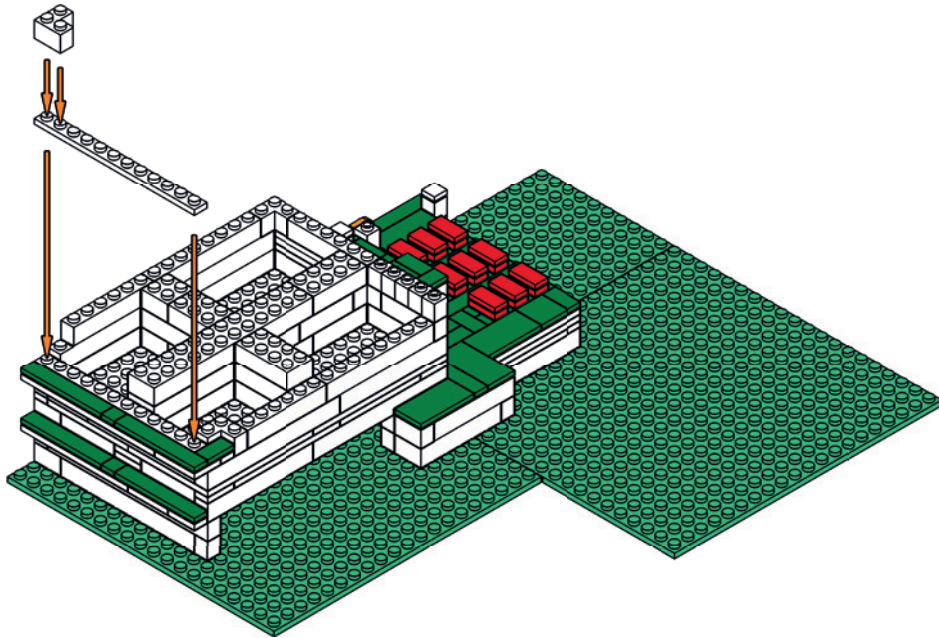
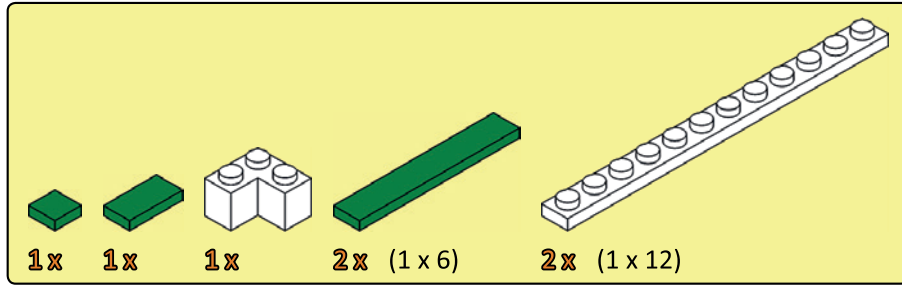


M38-70093



*alseas*

# Step 88



# Step 89

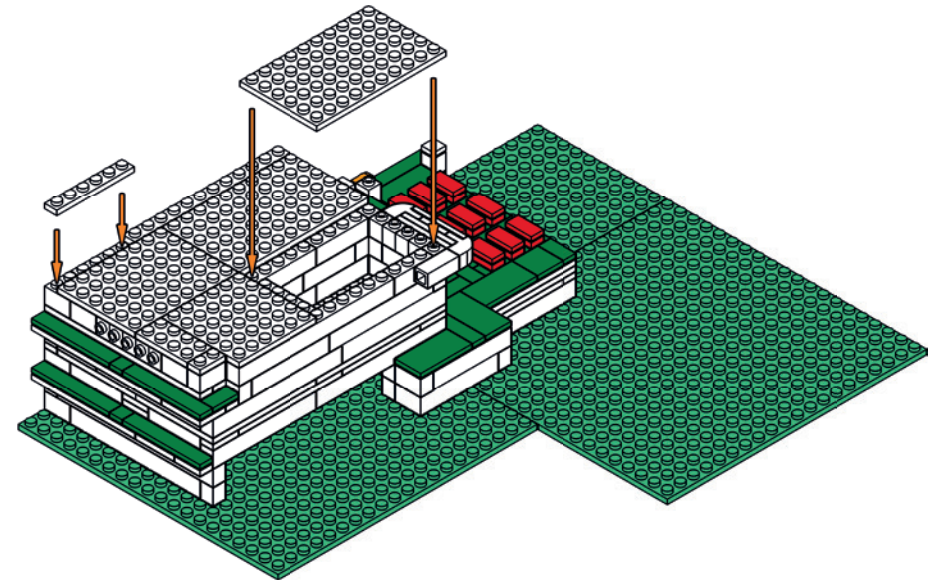
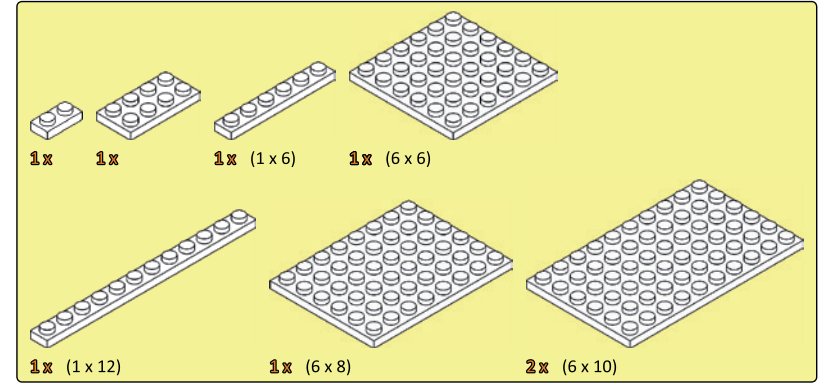
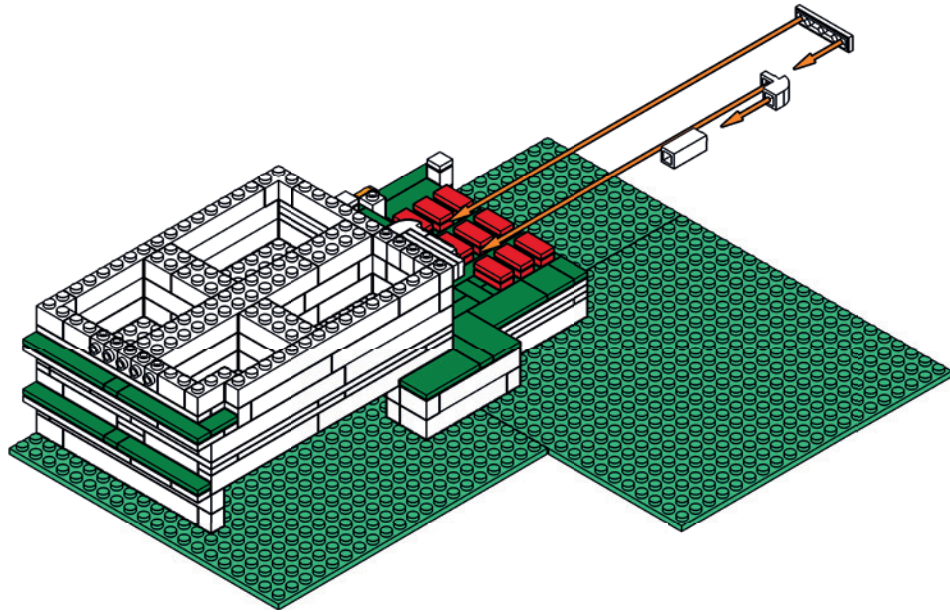
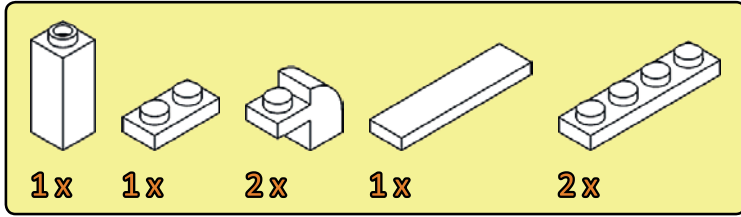


M38-70093



*alseas*

# Step 90



# Step 91

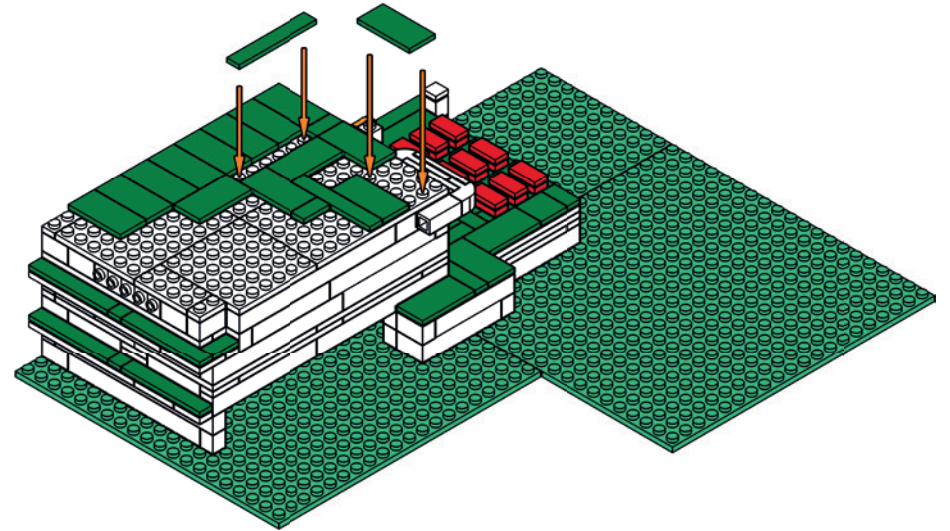
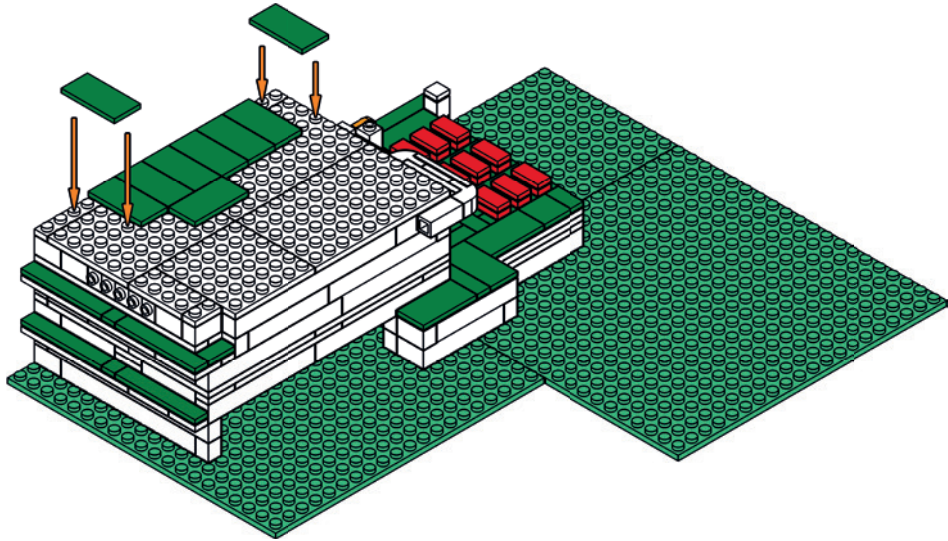
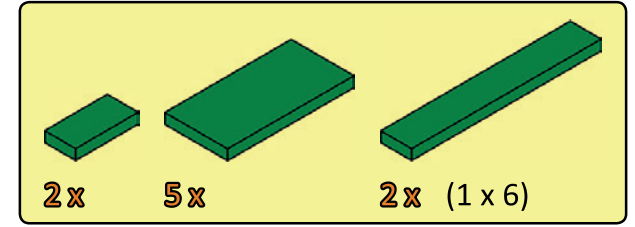
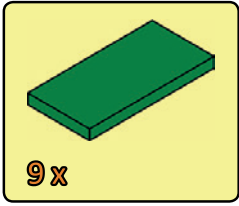


M38-70093



*l'seas*

# Step 92



# Step 93

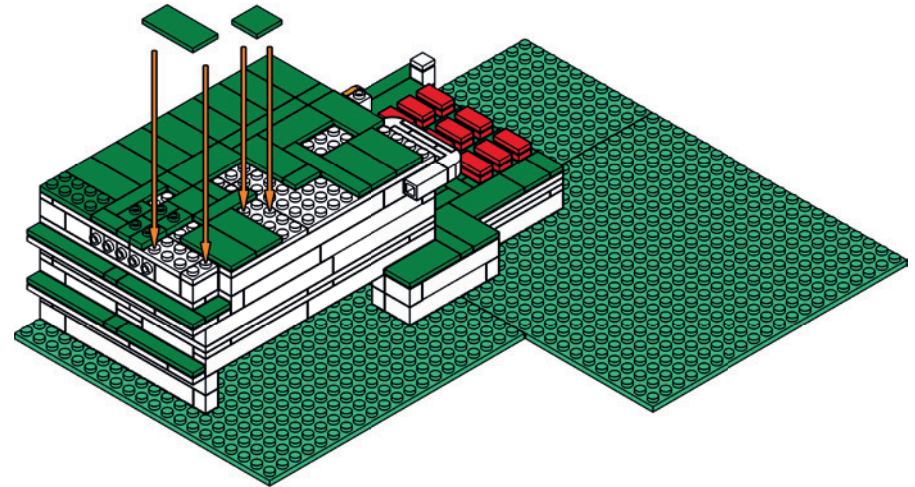
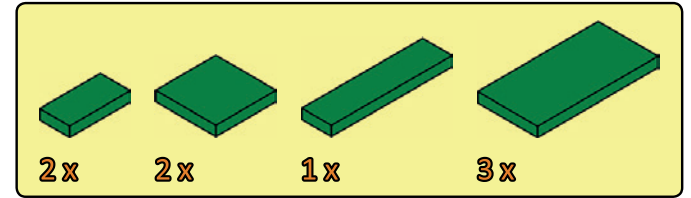
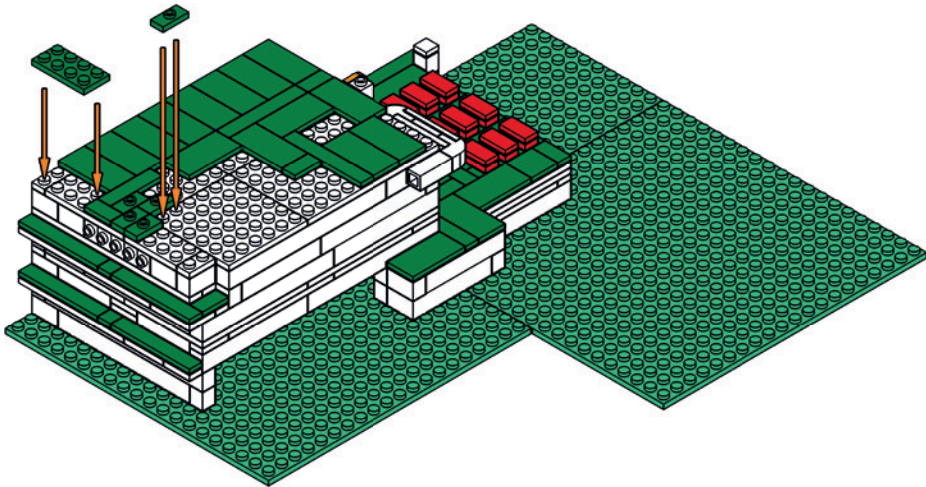
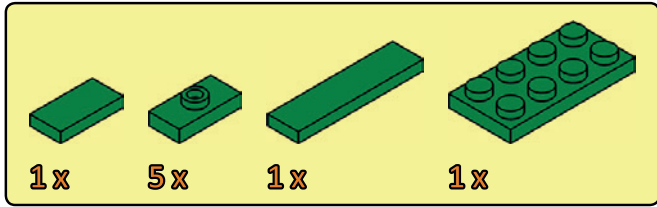


M38-70093



*l*seas

# Step 94





# Step 95

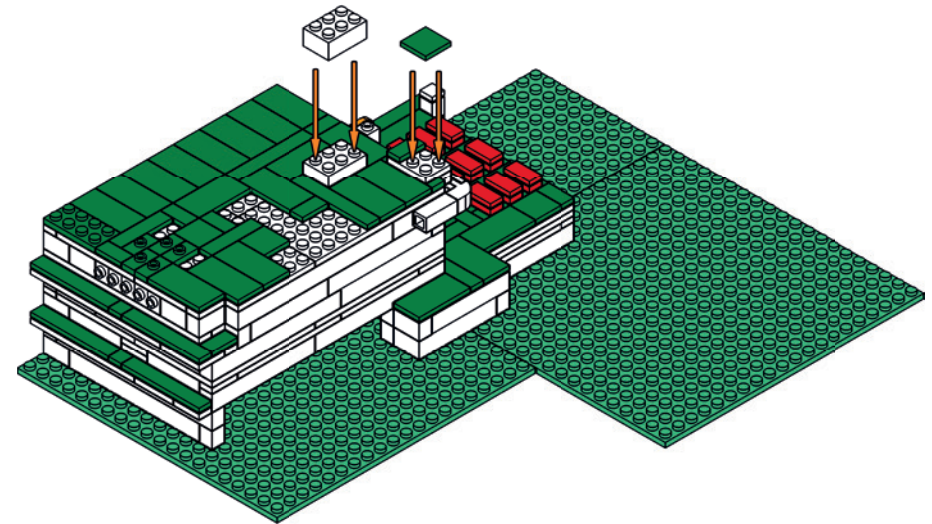
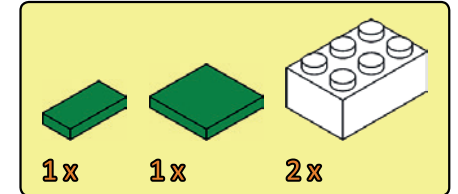
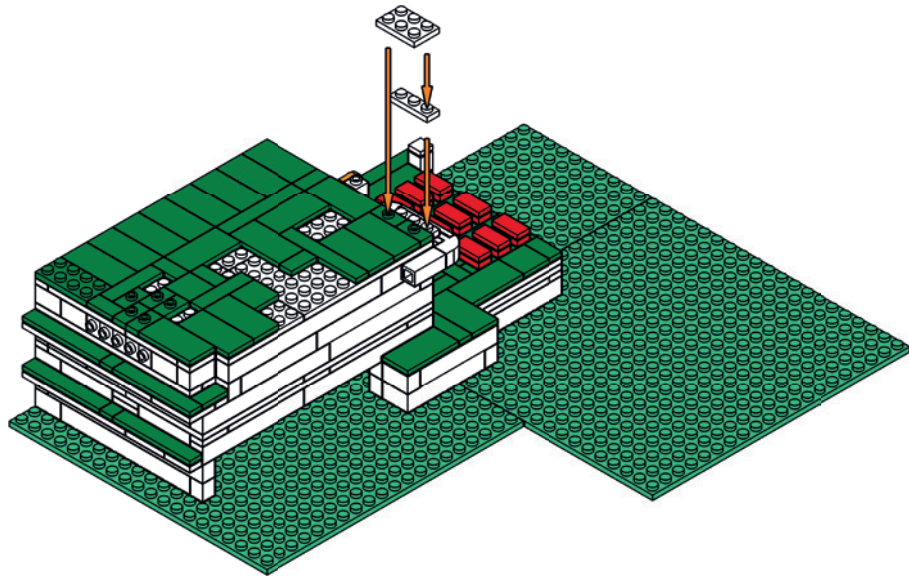
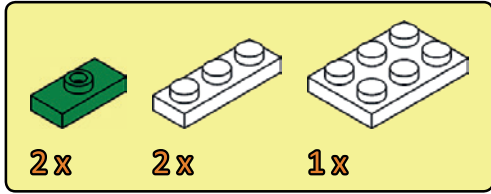


M38-70093



*Iseas*

# Step 96



# Step 97

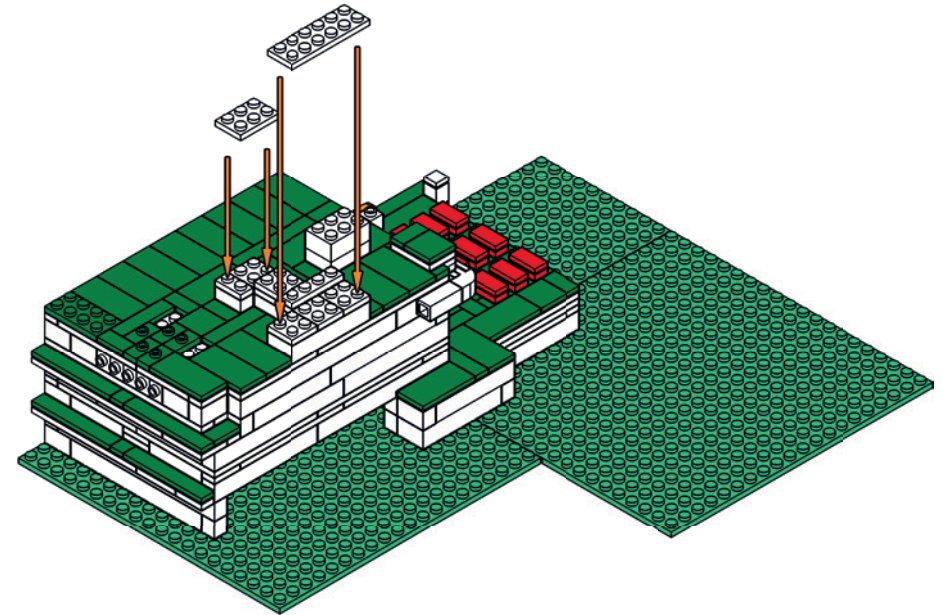
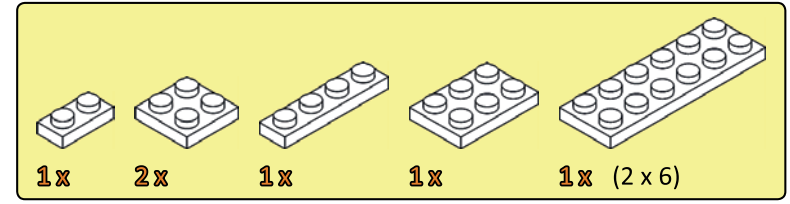
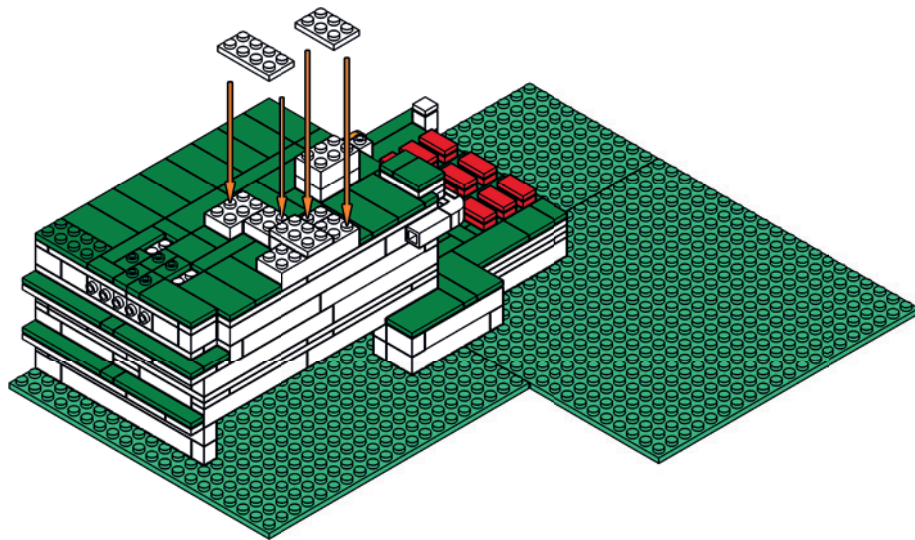
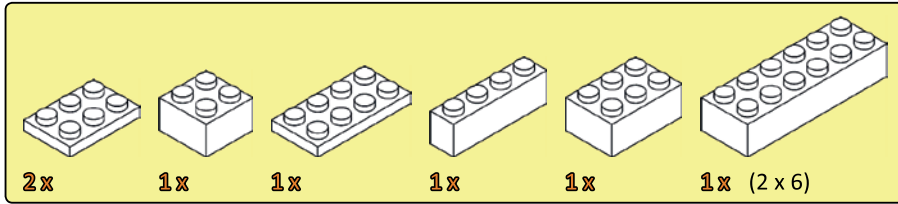


M38-70093



*alseas*

# Step 98



# Step 99

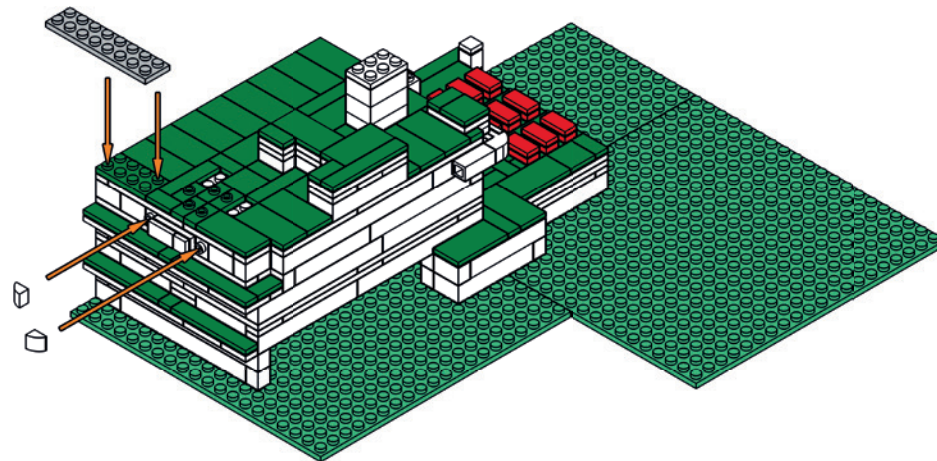
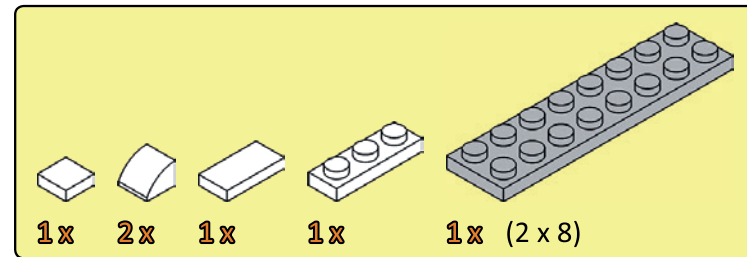
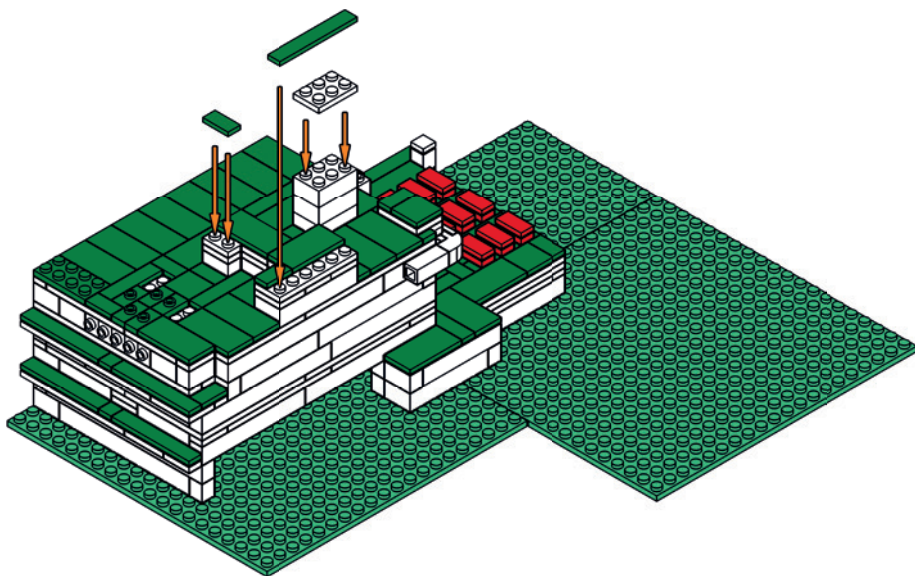
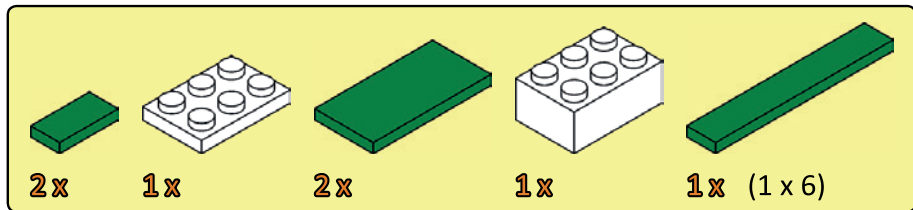


M38-70093



elseas

# Step 100



# Step 101

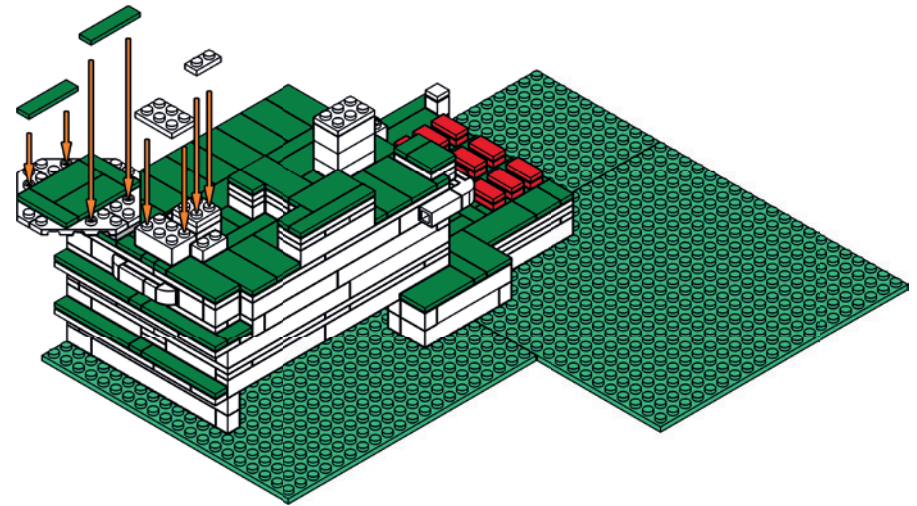
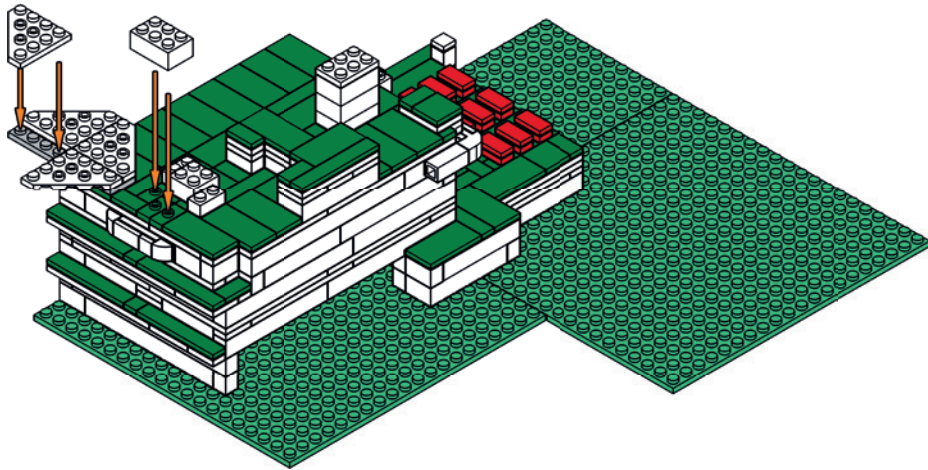
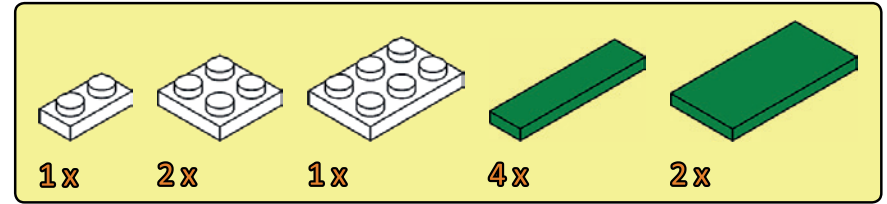
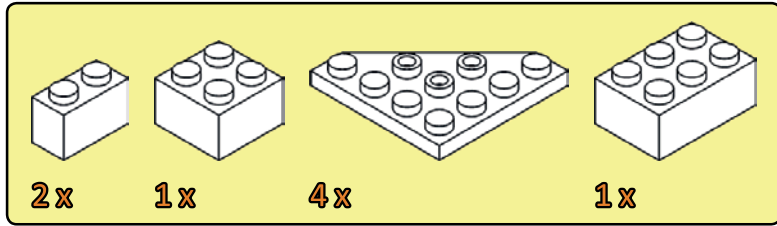


M38-70093



Iseas

# Step 102



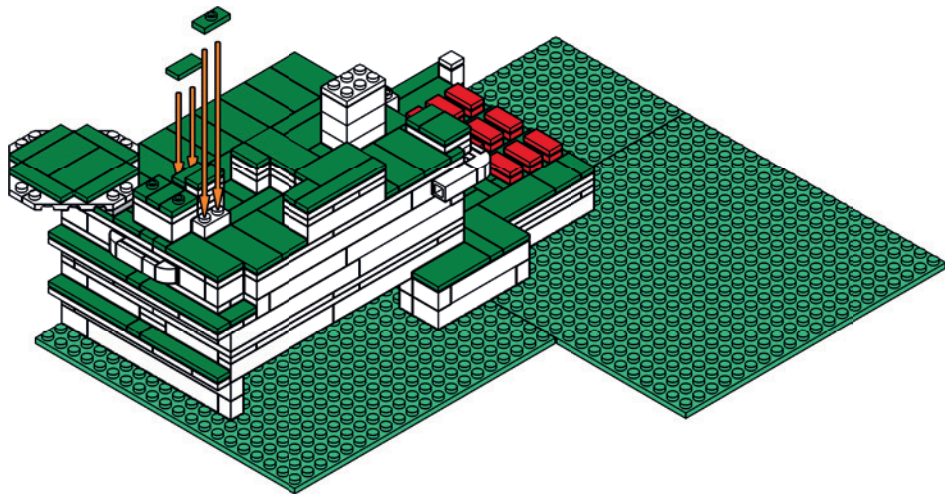
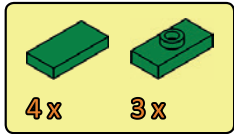
# Step 103



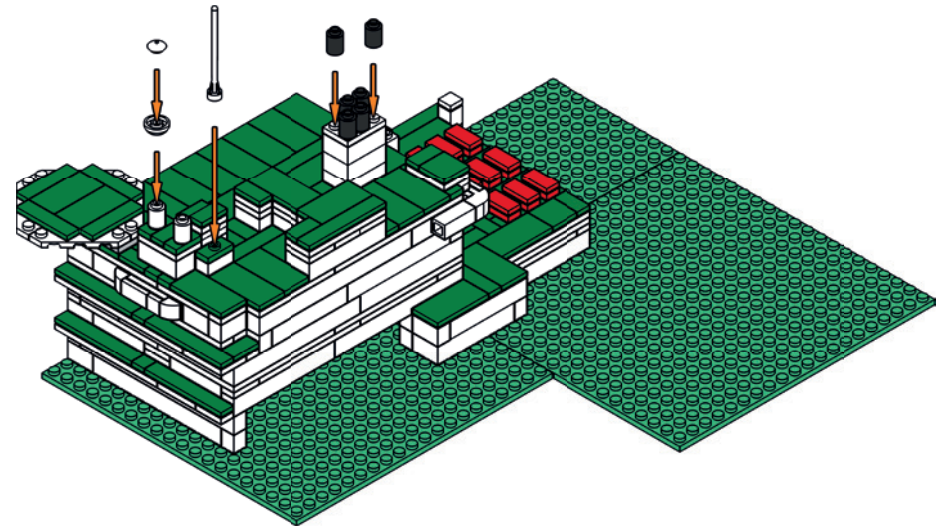
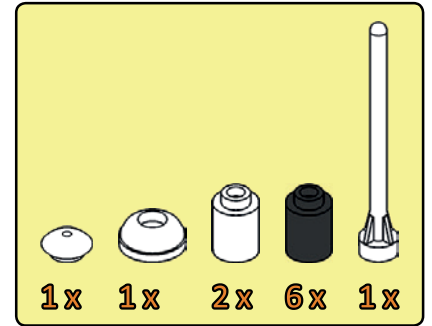
M38-70093



*alseas*



# Step 104



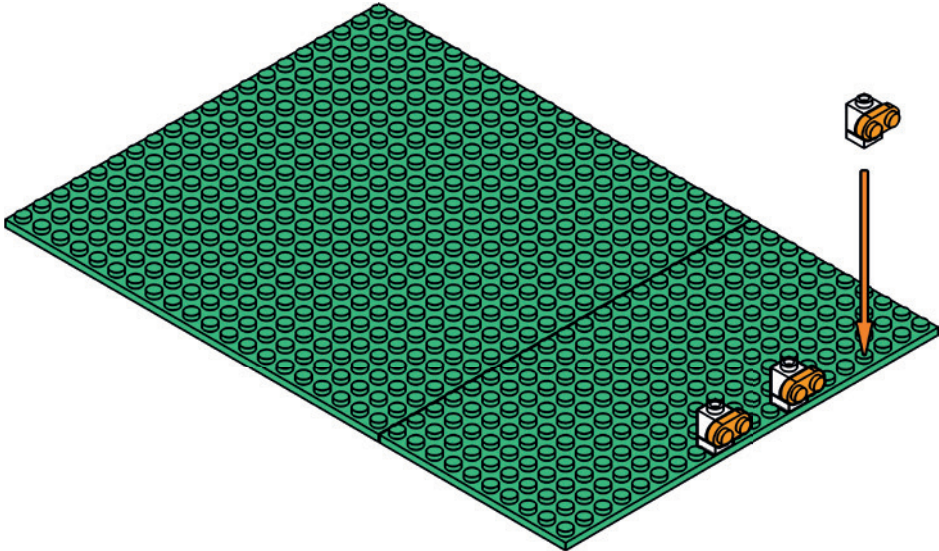
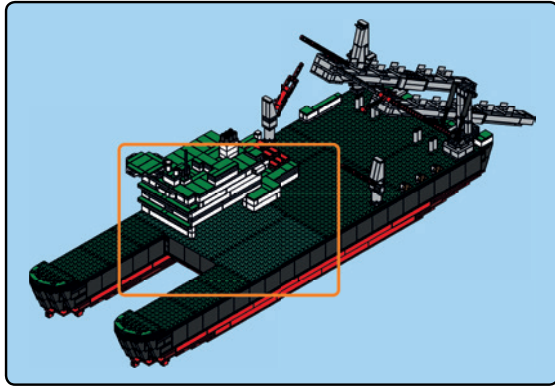
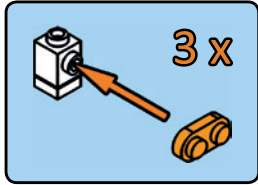
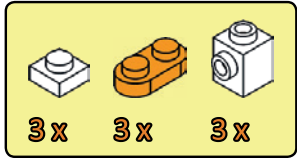
# Step 105



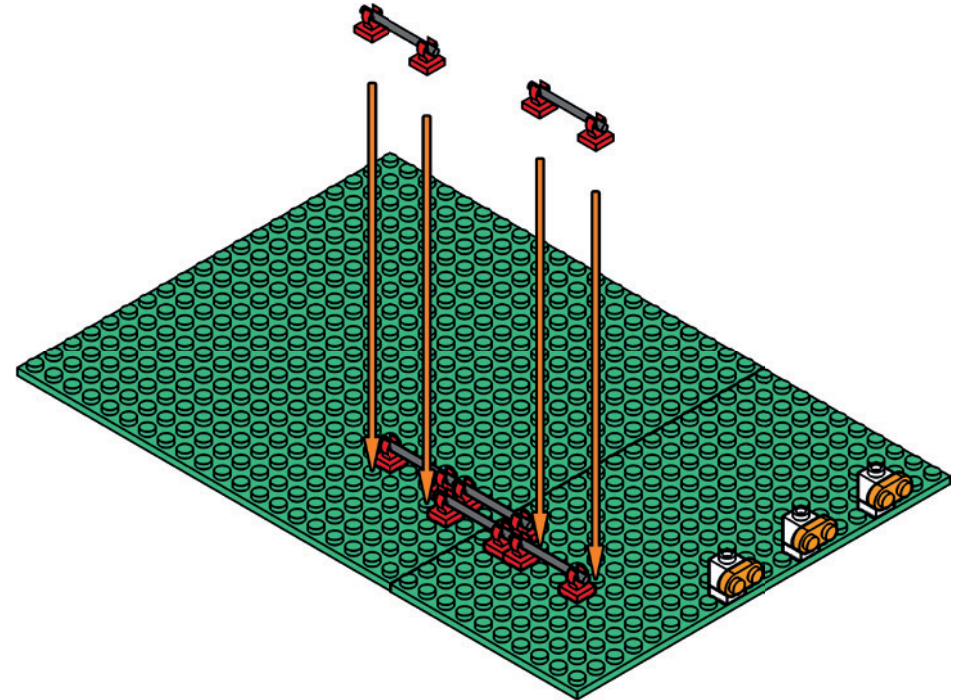
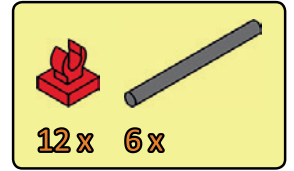
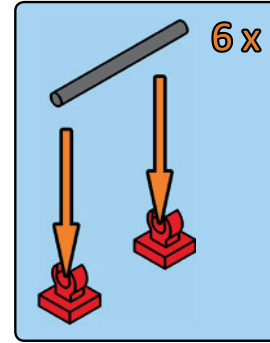
M38-70093



elseas



# Step 106



# Step 107

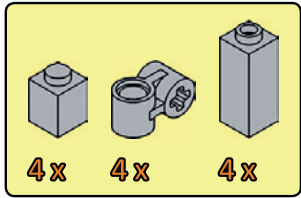


M38-70093

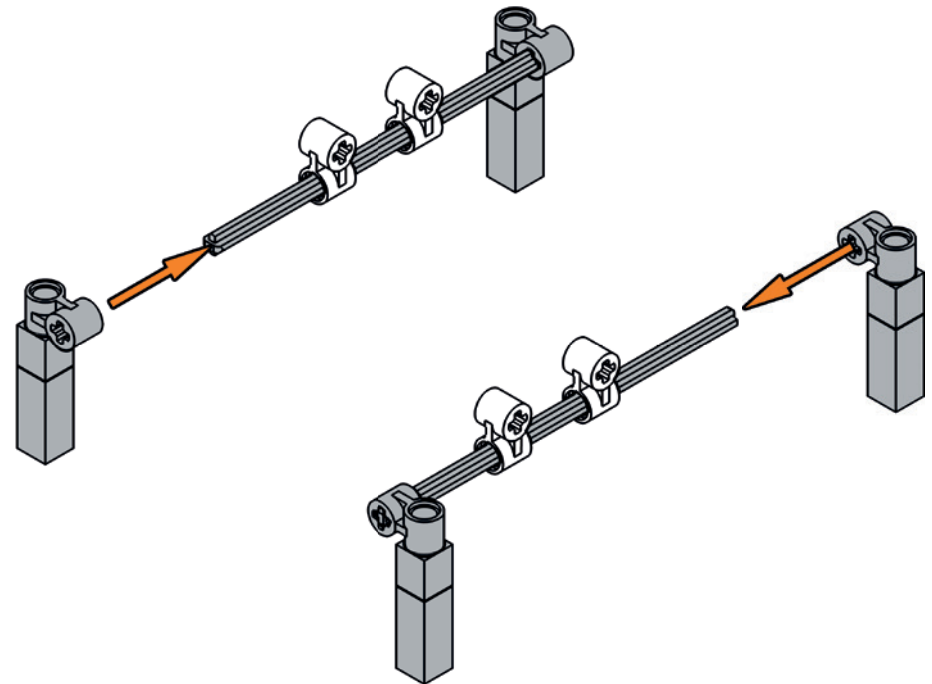
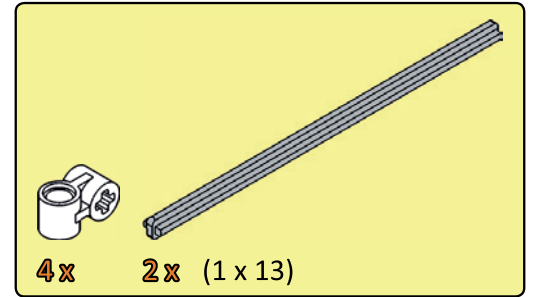
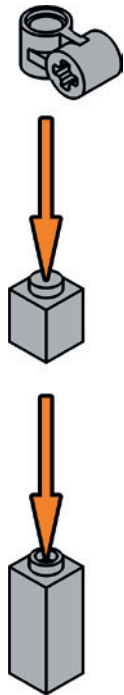


Iseas

# Step 108



4 x



# Step 109

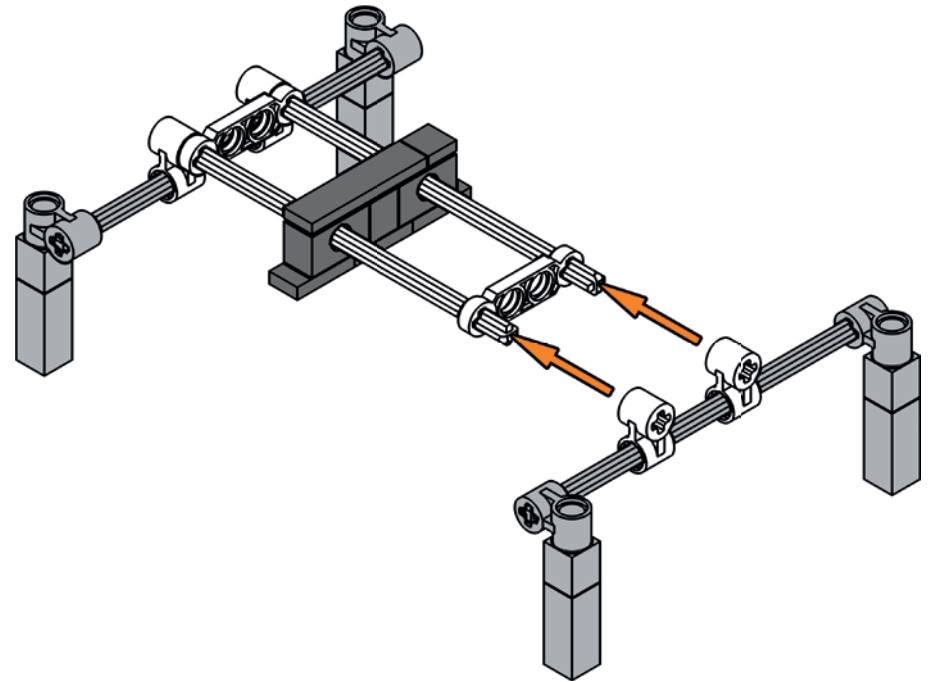
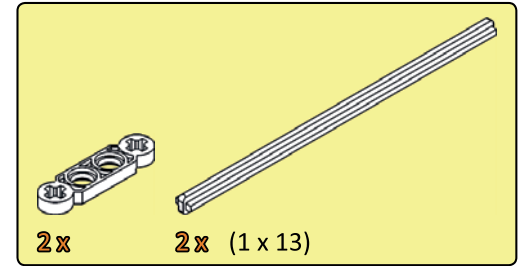
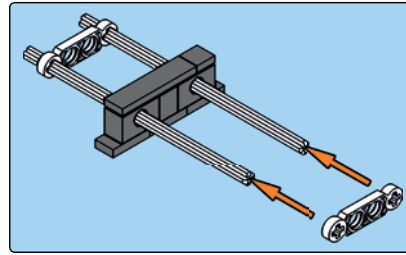
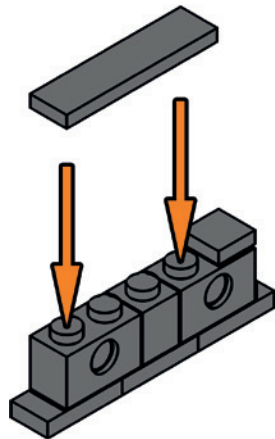
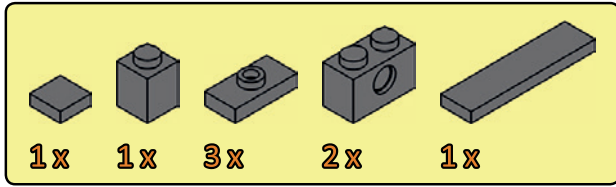


M38-70093



*elseas*

# Step 110





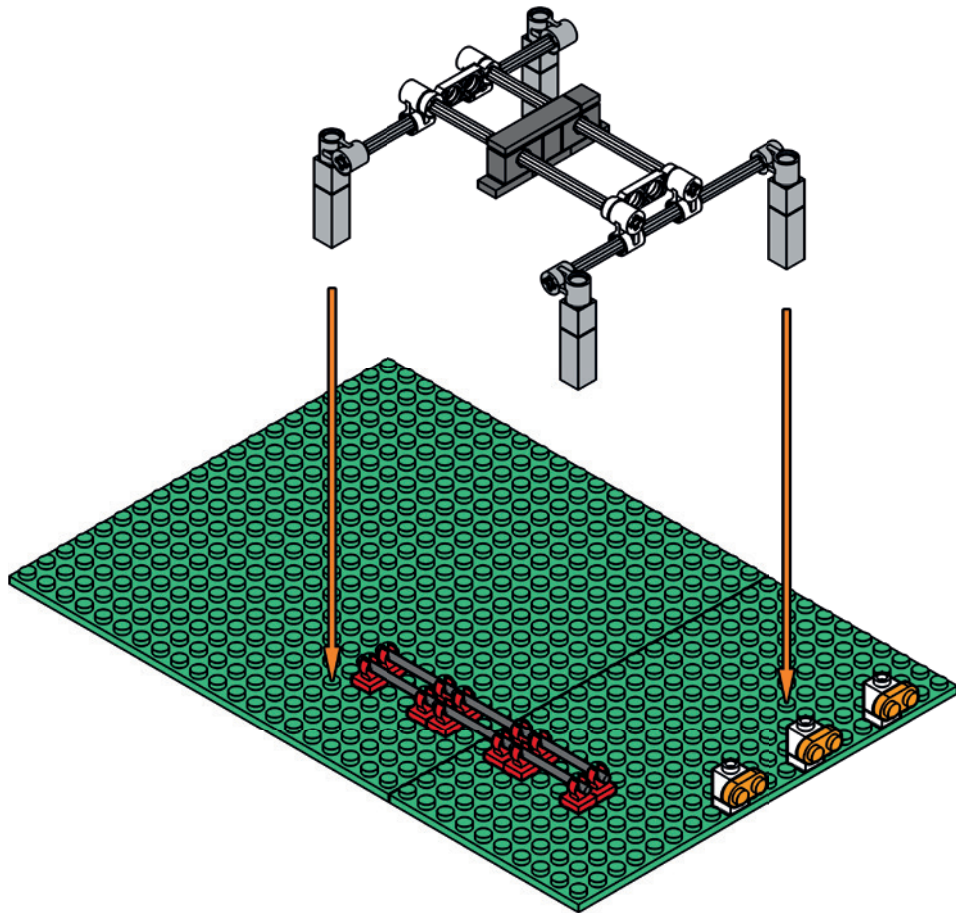
# Step 111



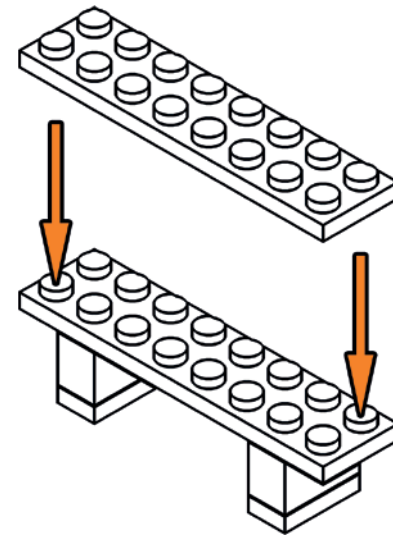
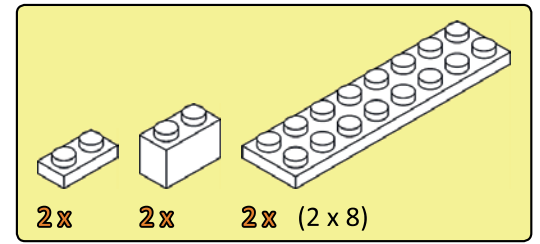
M38-70093



*alseas*



# Step 112



# Step 113

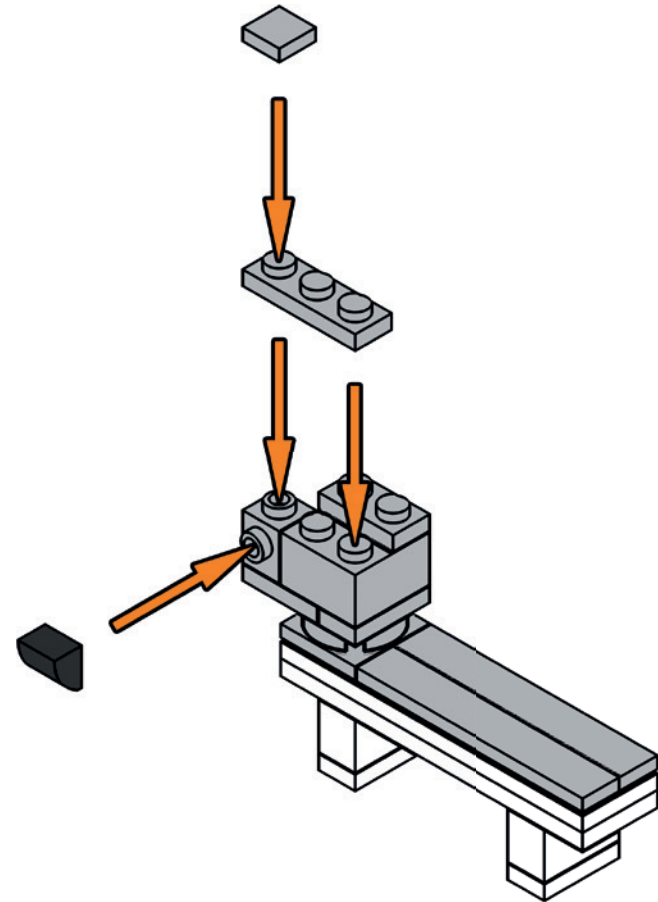
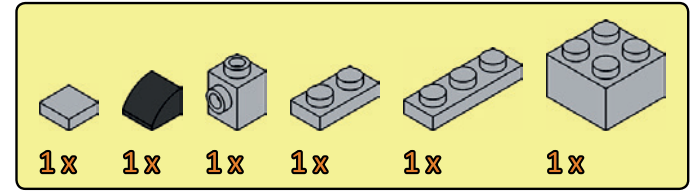
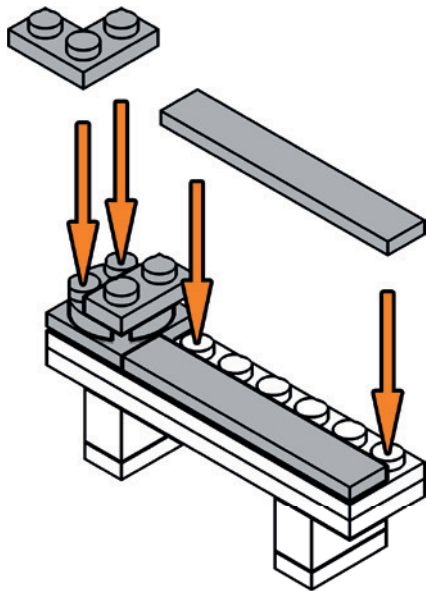
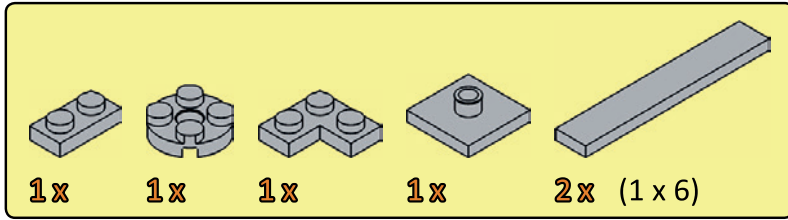


M38-70093



*elseas*

# Step 114



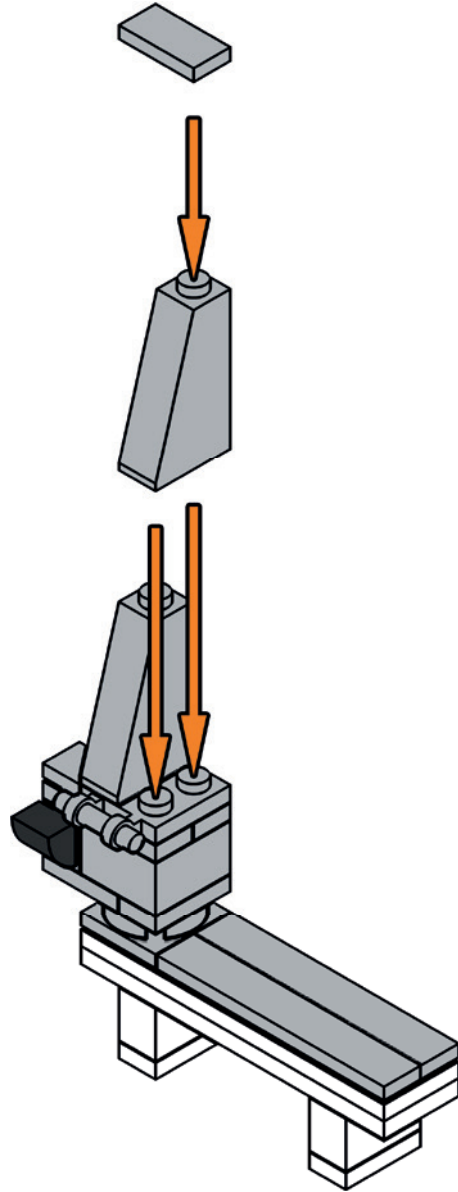
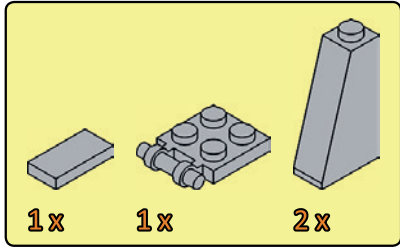
# Step 115



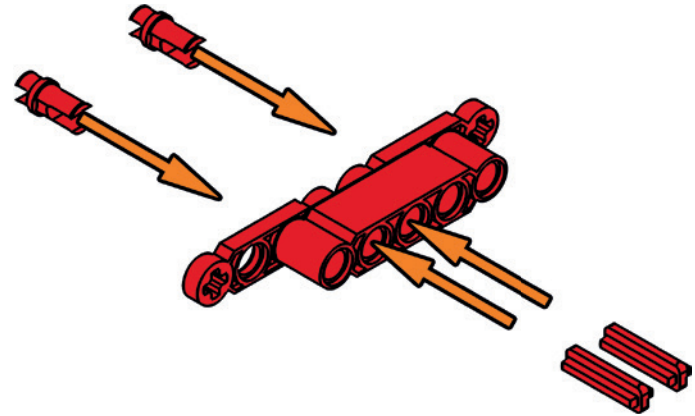
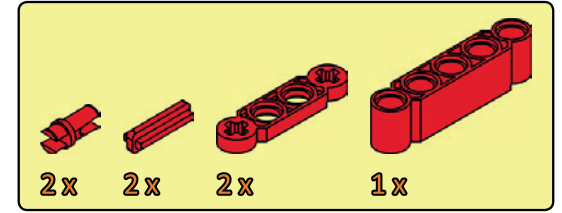
M38-70093



*alseas*



# Step 116



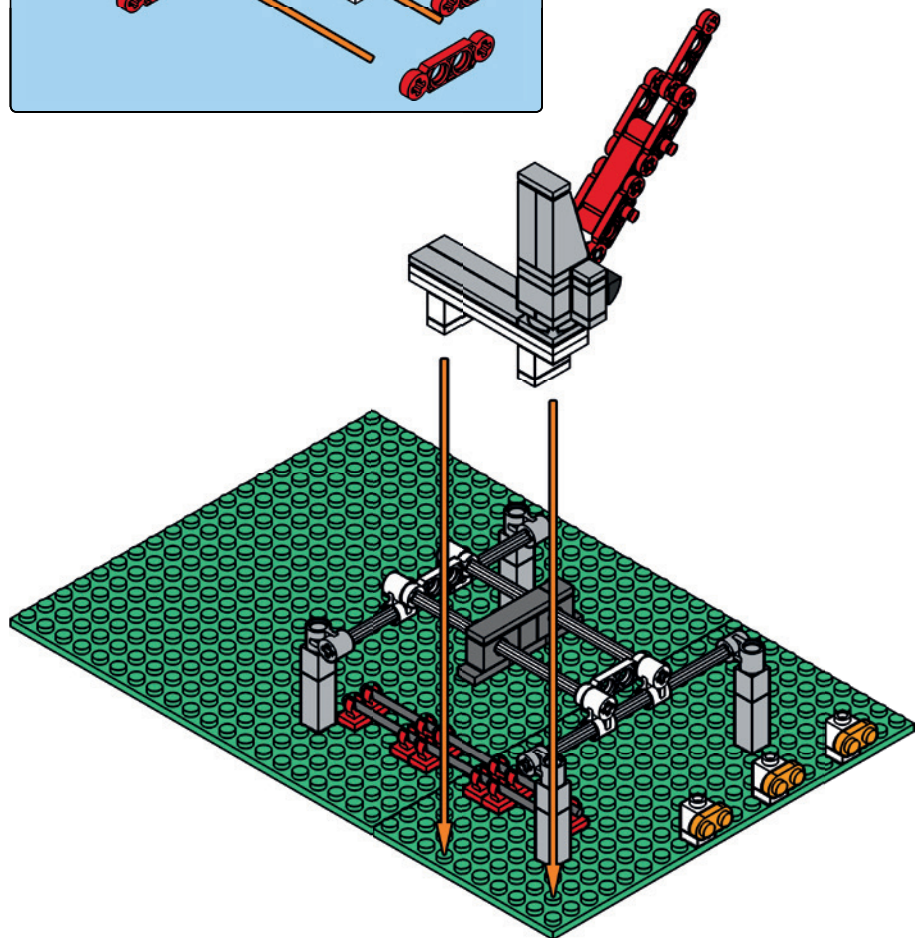
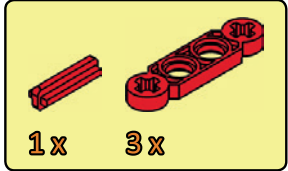
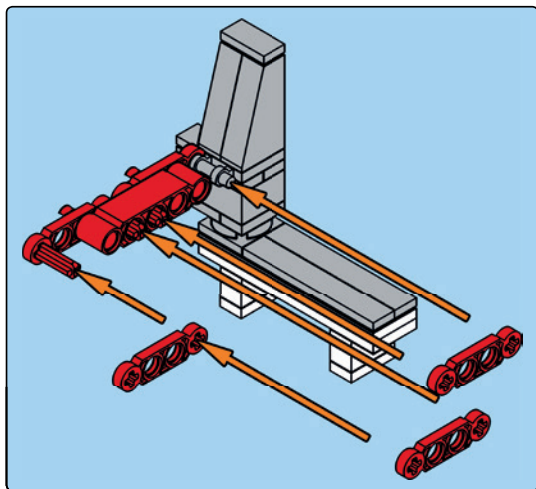
# Step 117



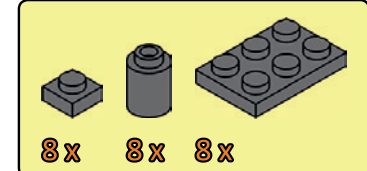
M38-70093



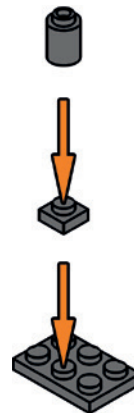
*alseas*



# Step 118



8 x



# Step 119

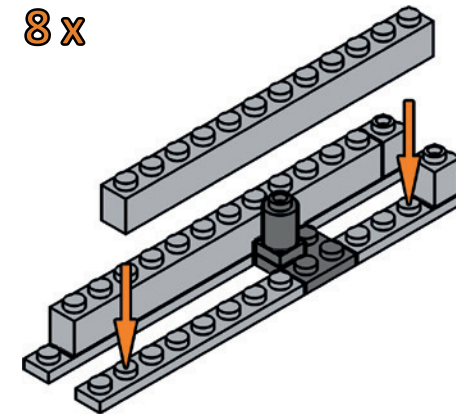
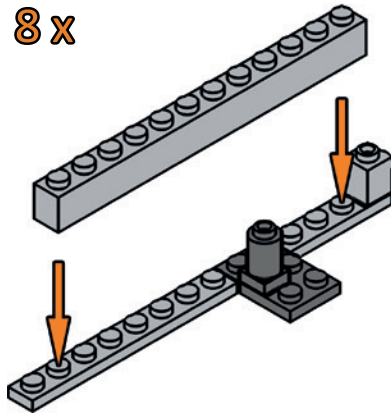
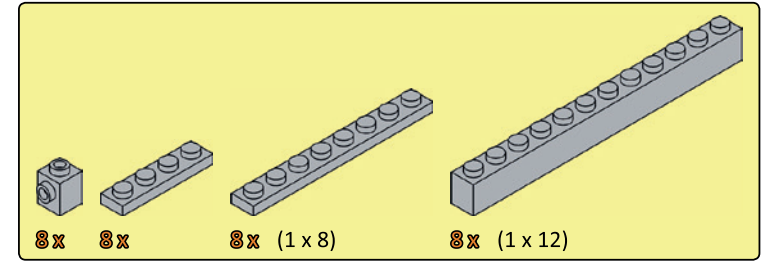
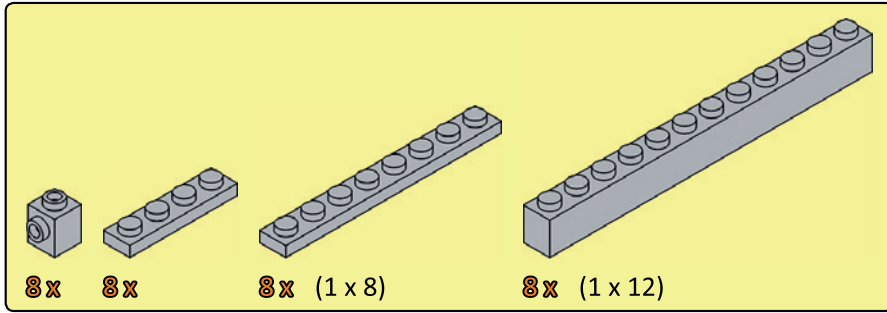


M38-70093



*elseas*

# Step 120



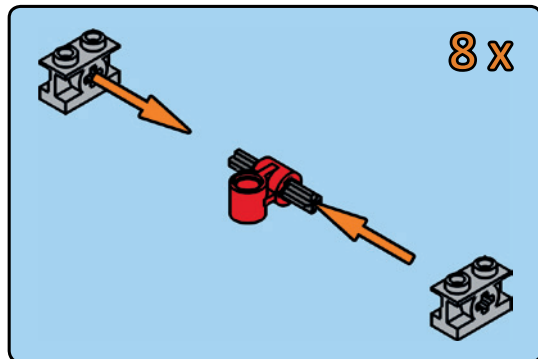
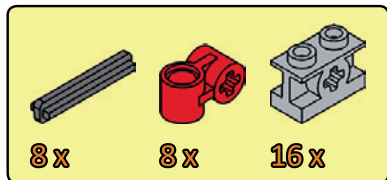
# Step 121



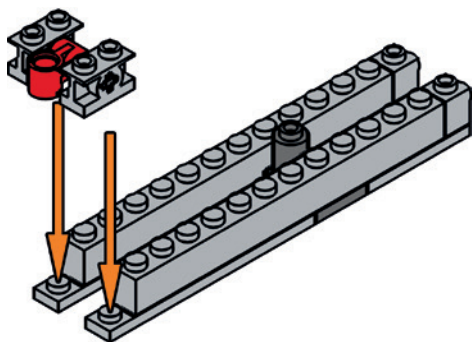
M38-70093



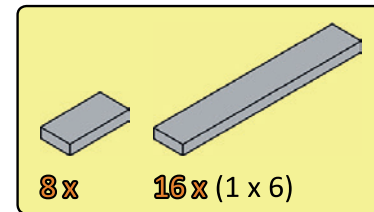
*elseas*



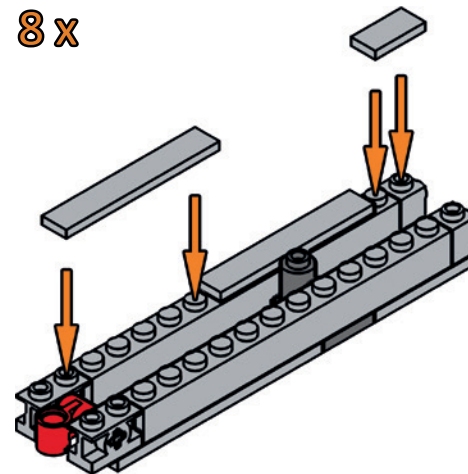
8x



# Step 122



8x



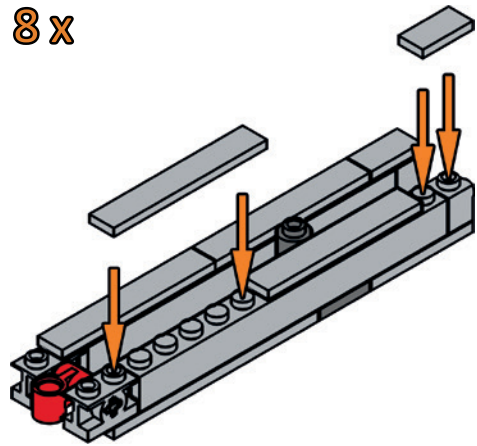
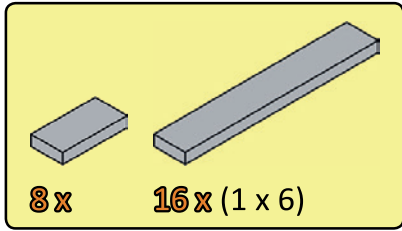
# Step 123



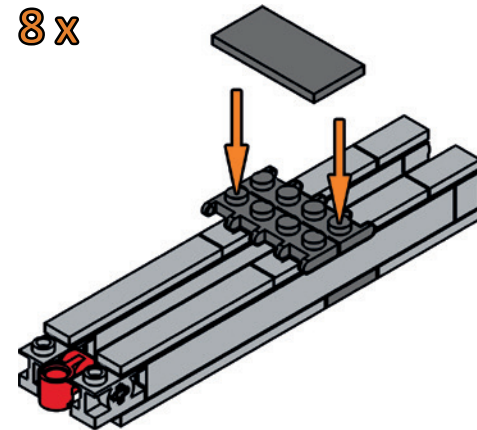
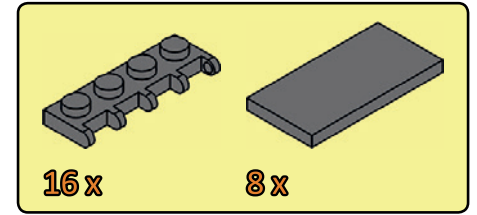
M38-70093



*alseas*



# Step 124



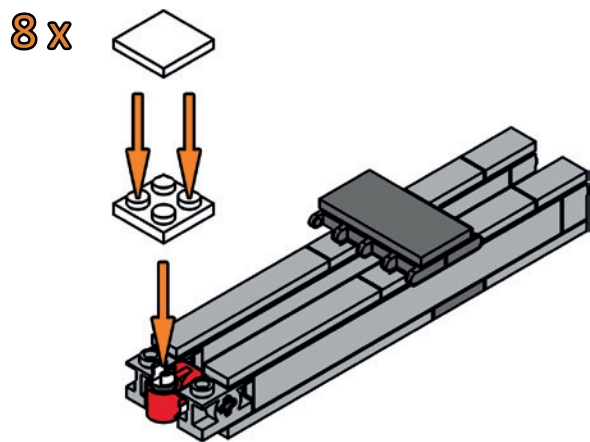
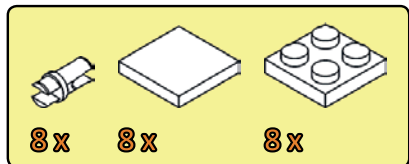
# Step 125



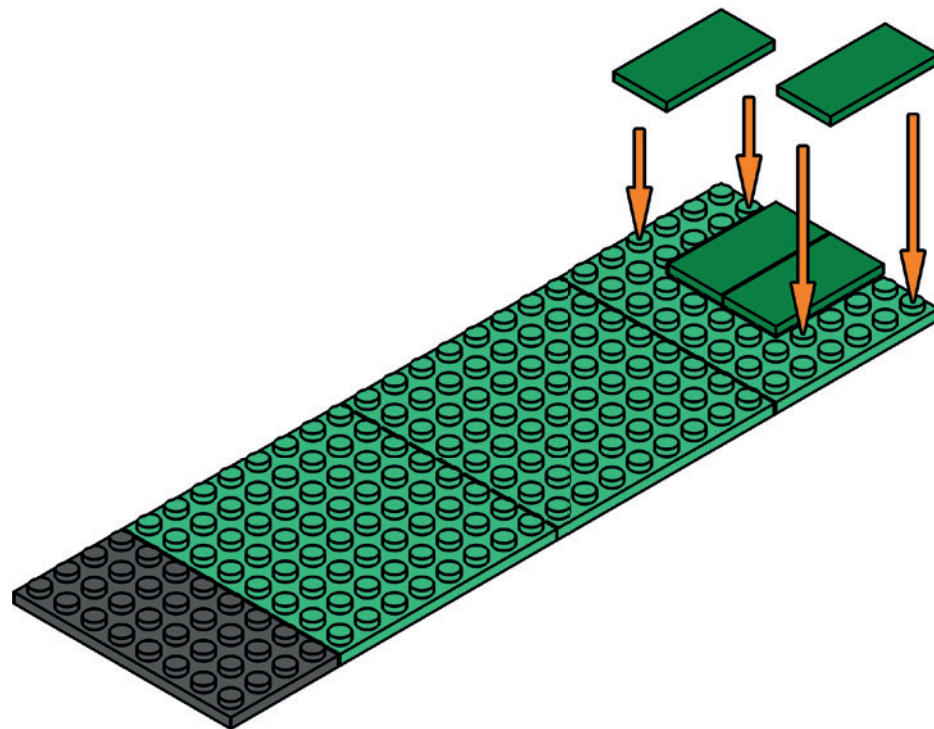
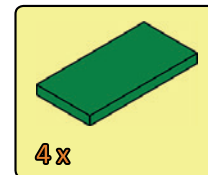
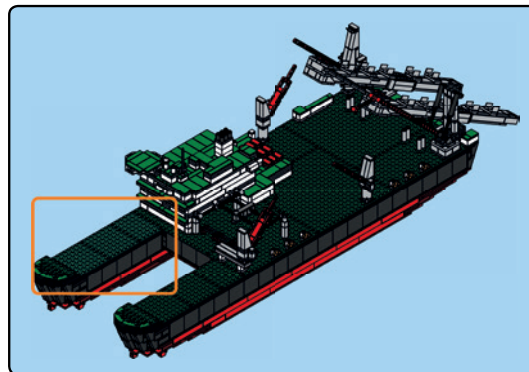
M38-70093



*l*seas



# Step 126





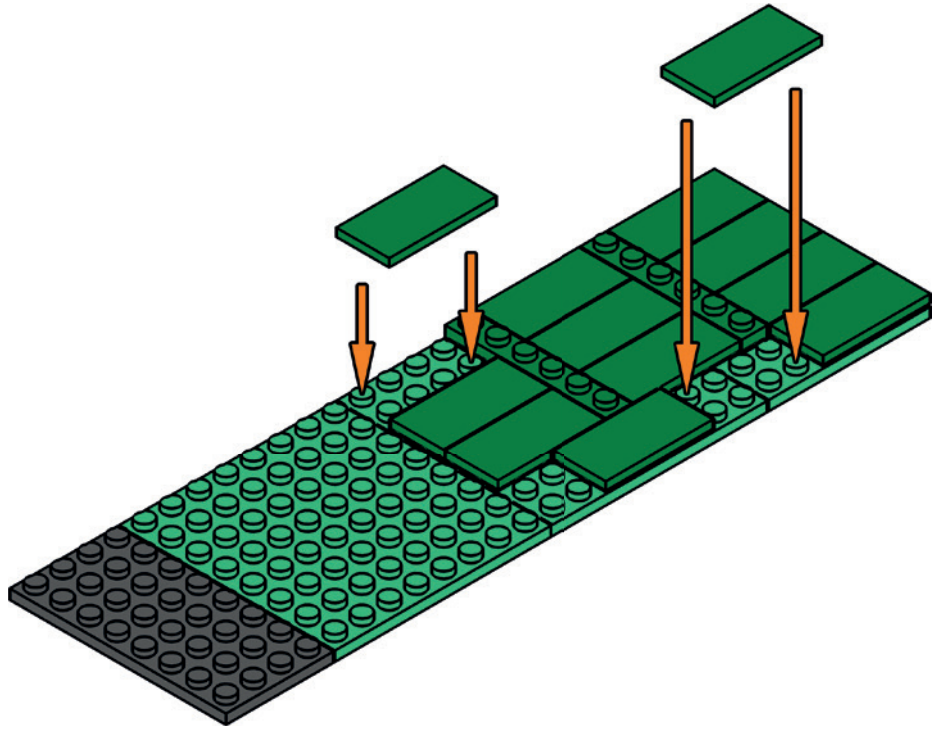
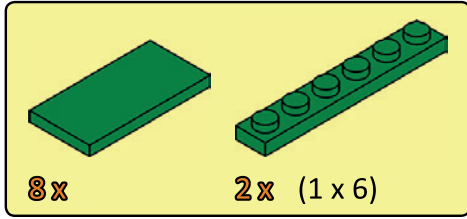
# Step 127



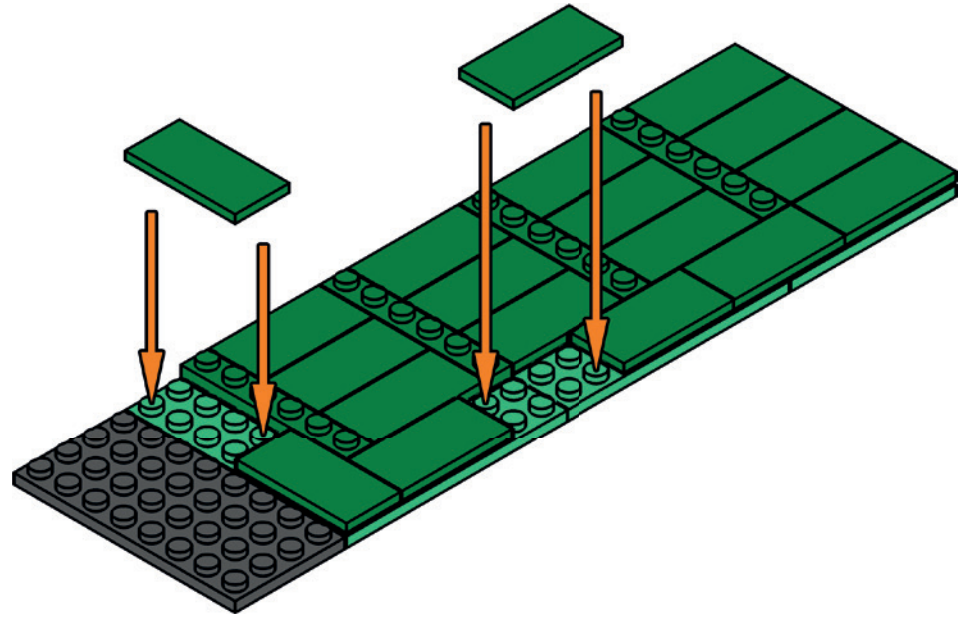
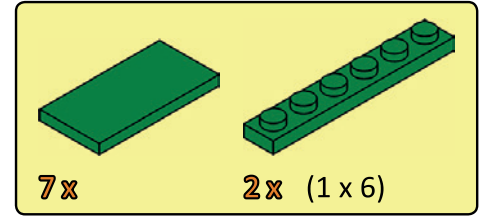
M38-70093

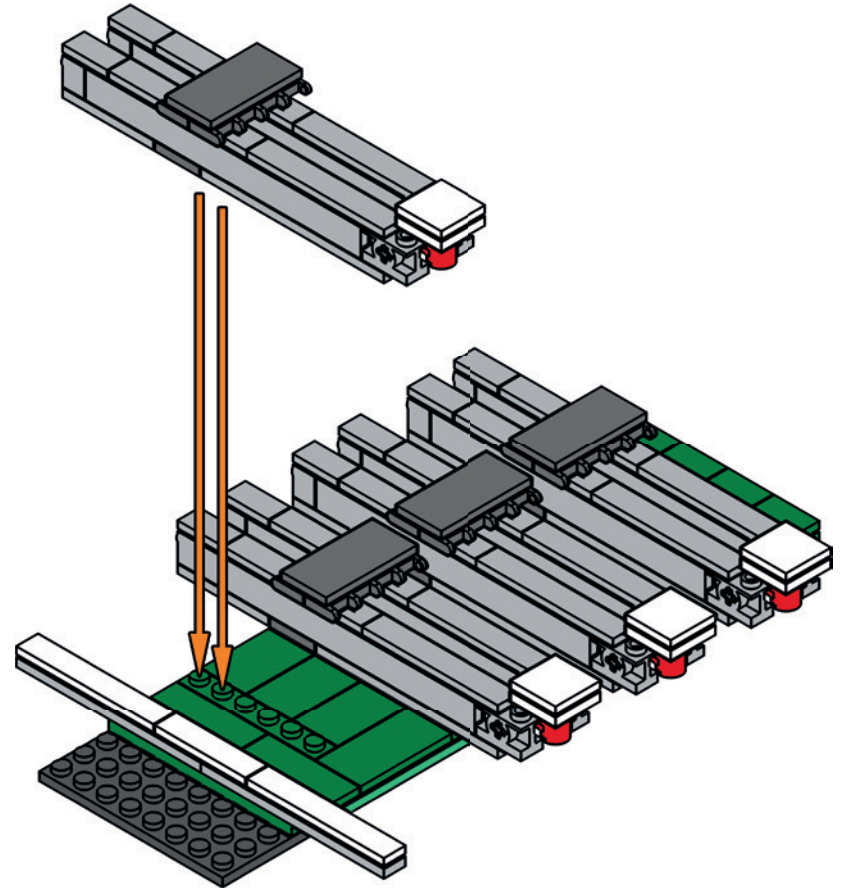
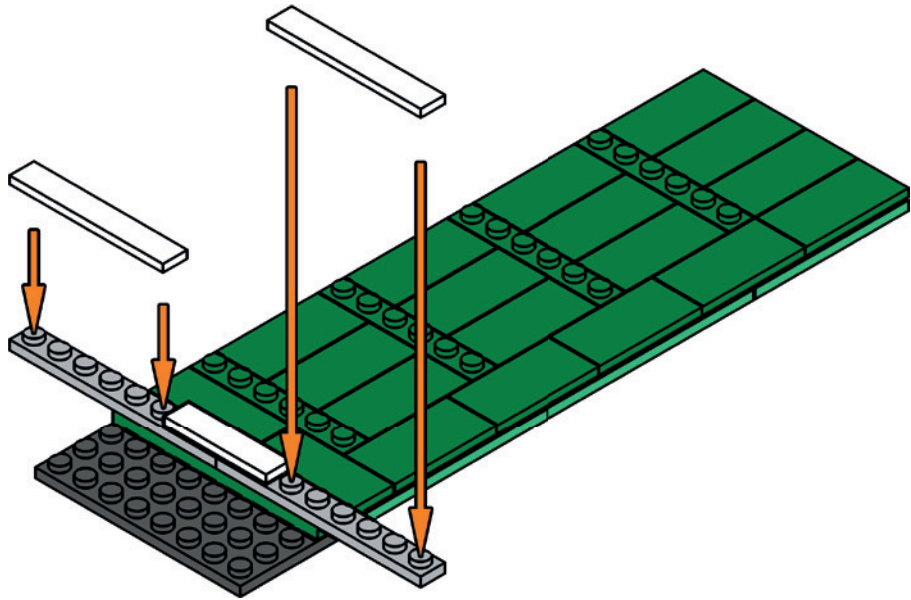
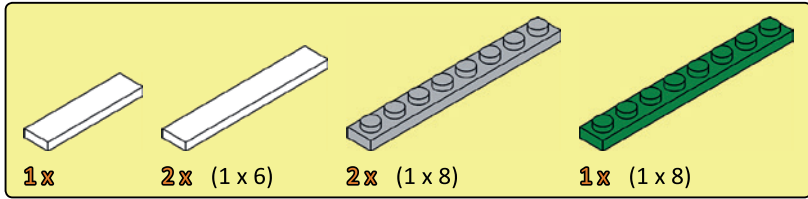


elseas



# Step 128





# Step 131

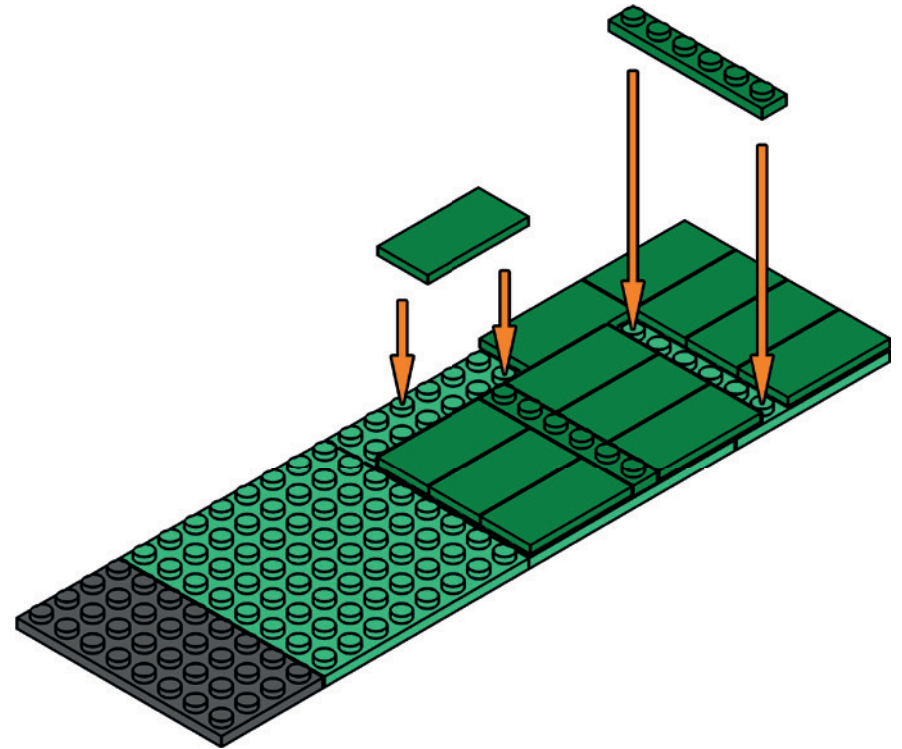
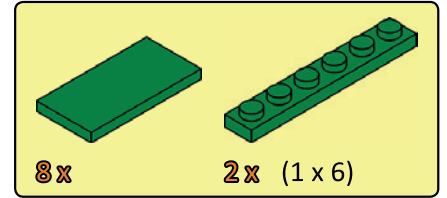
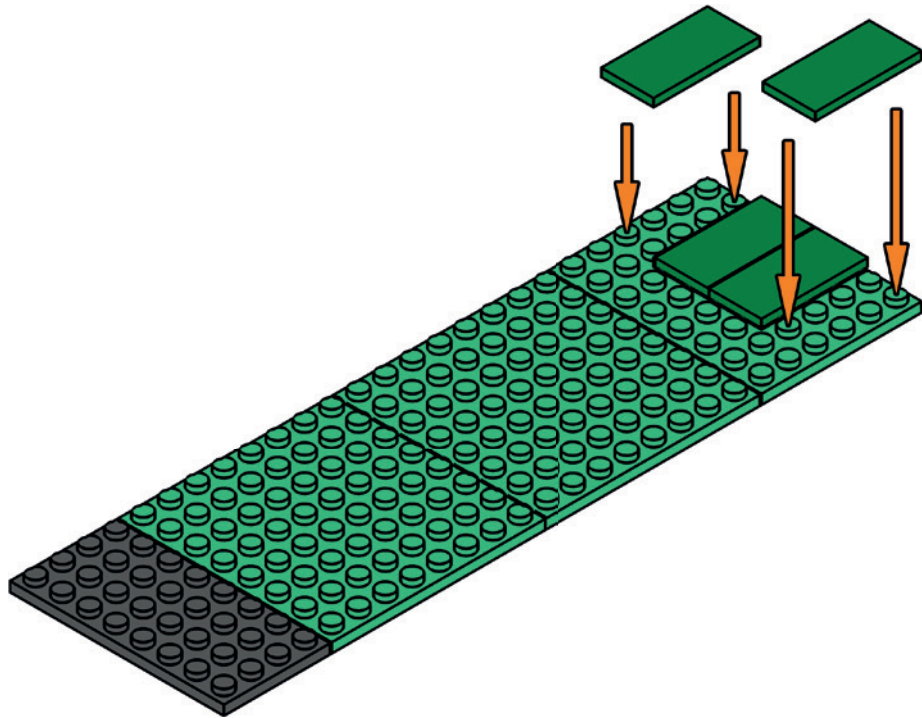
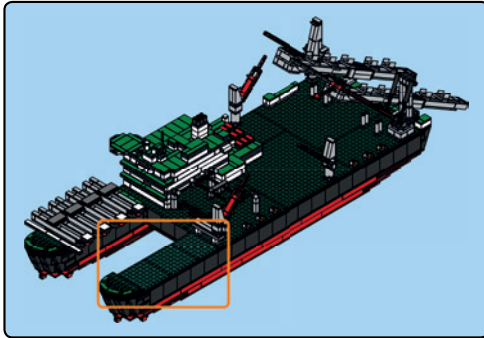
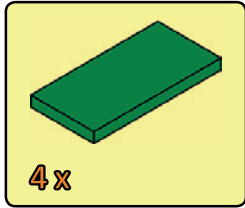


M38-70093



*elseas*

# Step 132



# Step 133

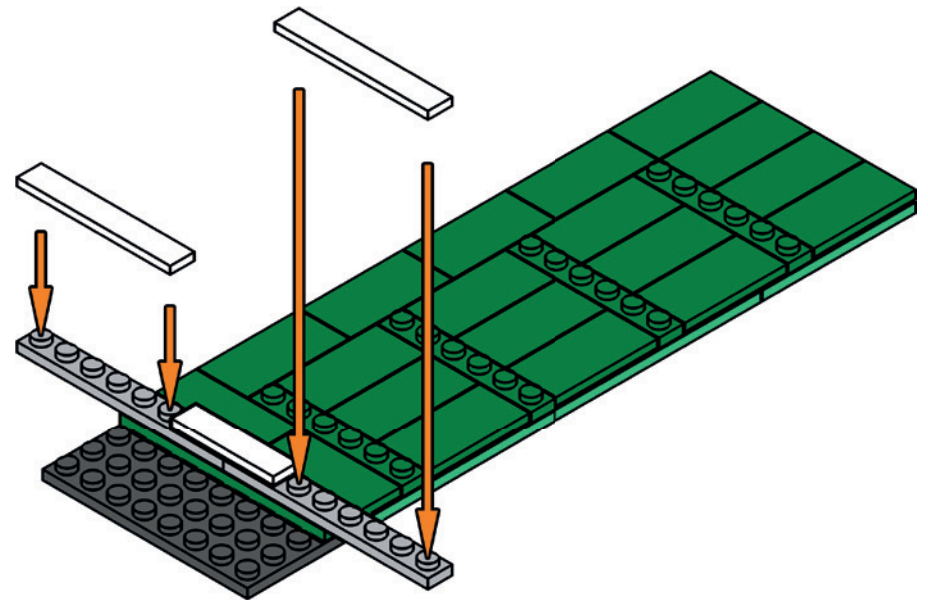
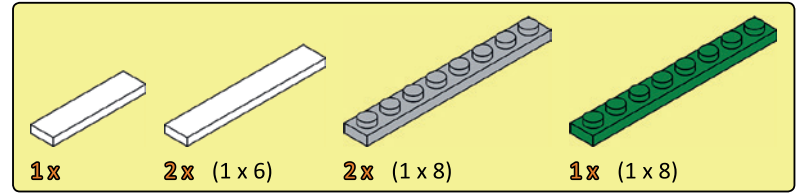
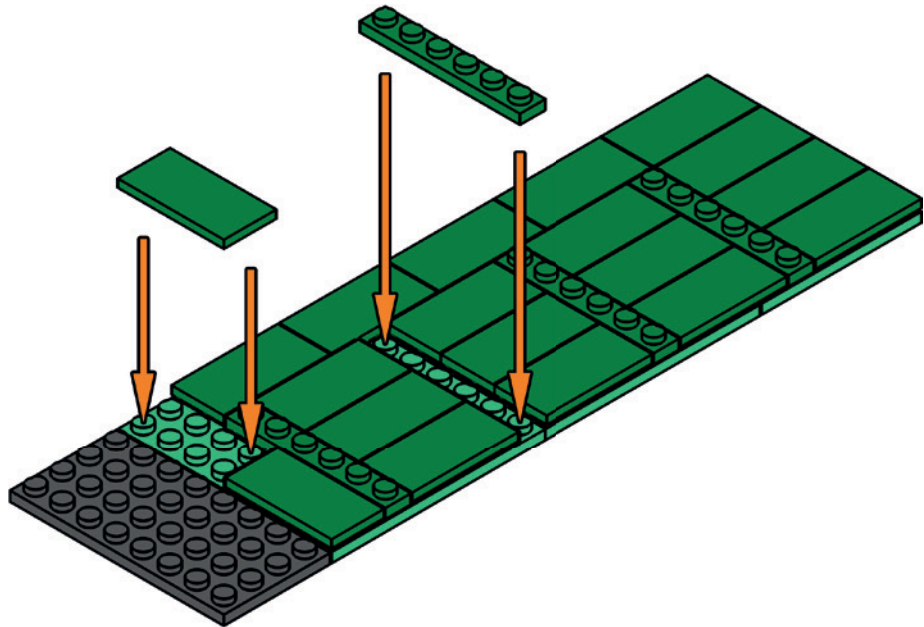
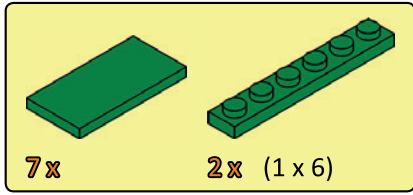


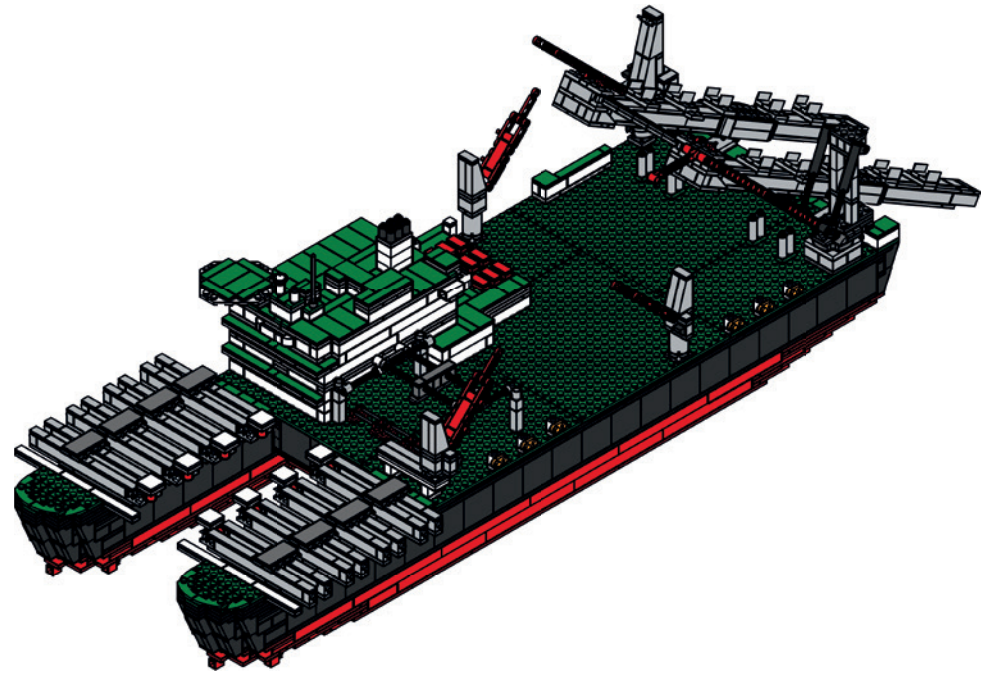
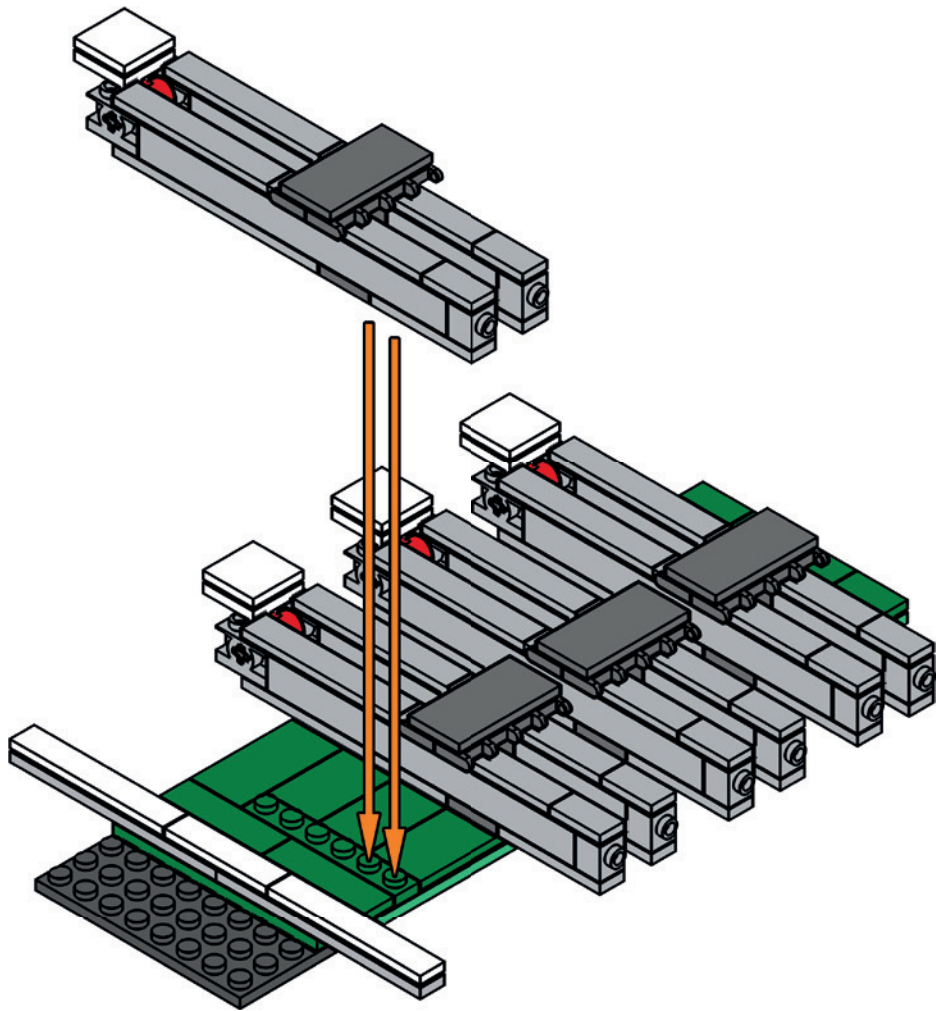
M38-70093



elseas

# Step 134







Pioneer Spirit

Hseas



